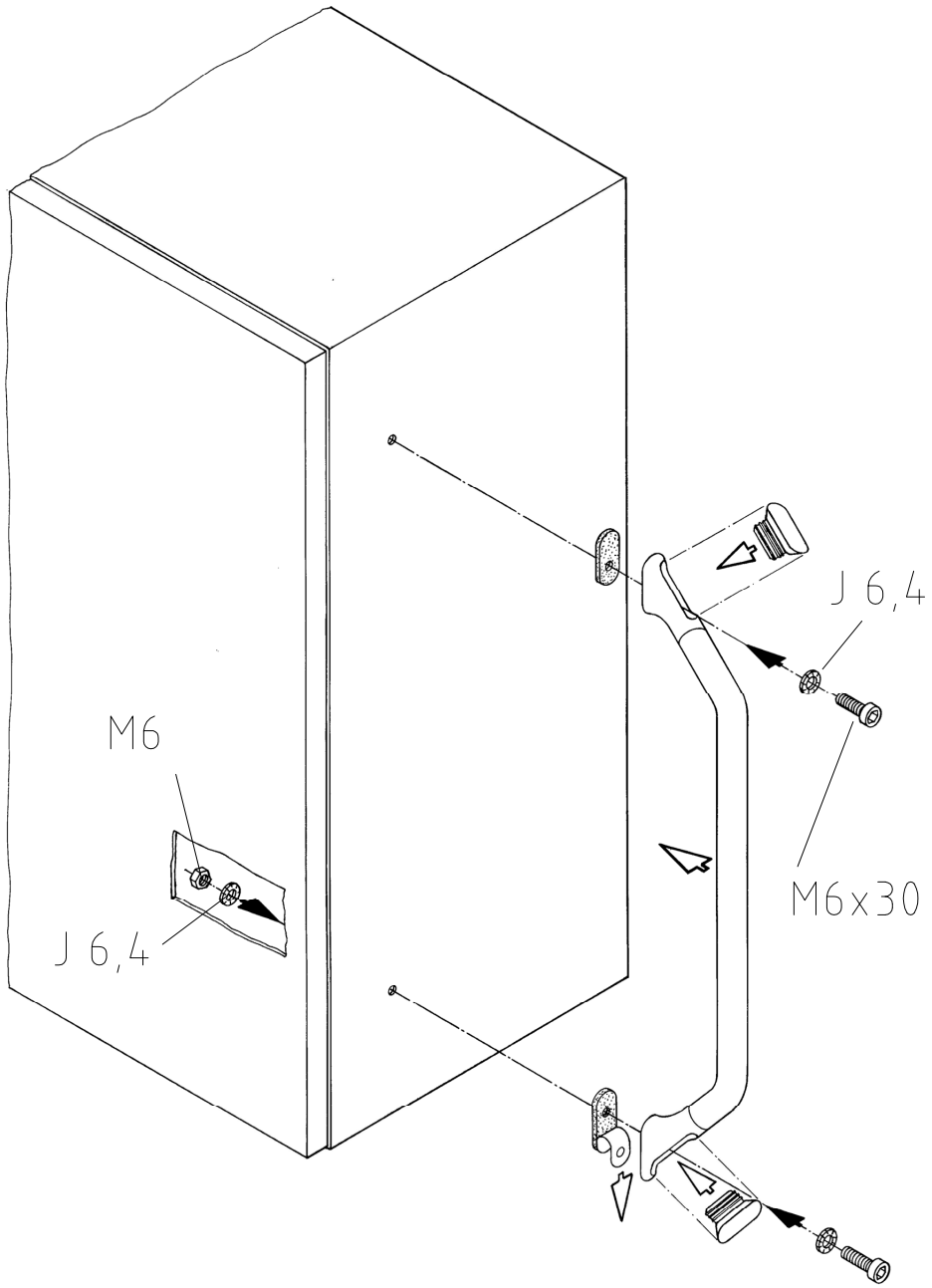




CP
6107.100
6107.200



- | | | |
|----|--|-------|
| 2x | | |
| 2x | | |
| 2x | | M6x16 |
| 4x | | J 6,4 |
| 2x | | M6x30 |
| 2x | | M6 |

Zchng.-Nr. / No. of dwg. : A2362004CP

Versandbeutel-Nr. / No. of accessory bag : 281754

Lieferanten-Nr. / No. of supplier :

