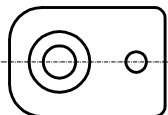




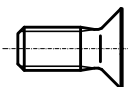
CP  
6147.000

Raum für Verpackungsdatum  
Area for date of packing  
(MMJJTT / MMYDD)

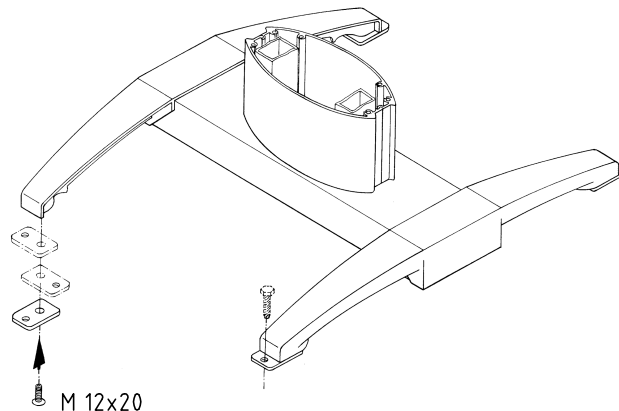
4x



4x



M12x20



Zchnng.-Nr. / No. of dwg. : A2139301CP

Versandbeutel-Nr. / No. of accessory bag : 277519

Lieferanten-Nr. / No. of supplier :