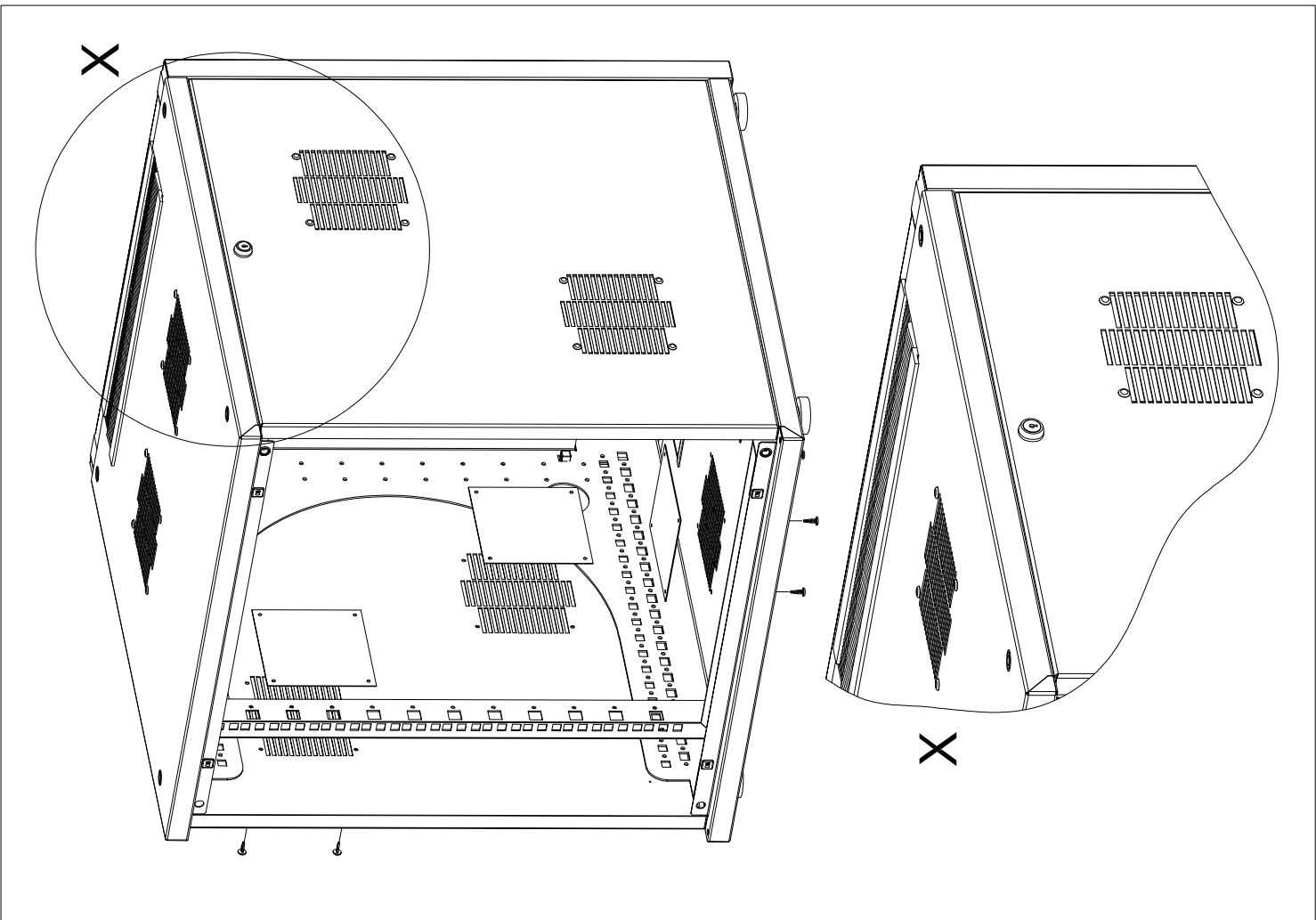
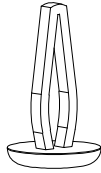




IT
7507.760

Raum für Verpackungsdatum
Area for date of packing
(MMJJTT / MMYDDD)

24x



Zchng.-Nr. / No. of dwg. : A3770301IT
Versandbeutel-Nr. / No. of accessory bag : -

Lieferanten-Nr. / No. of supplier :