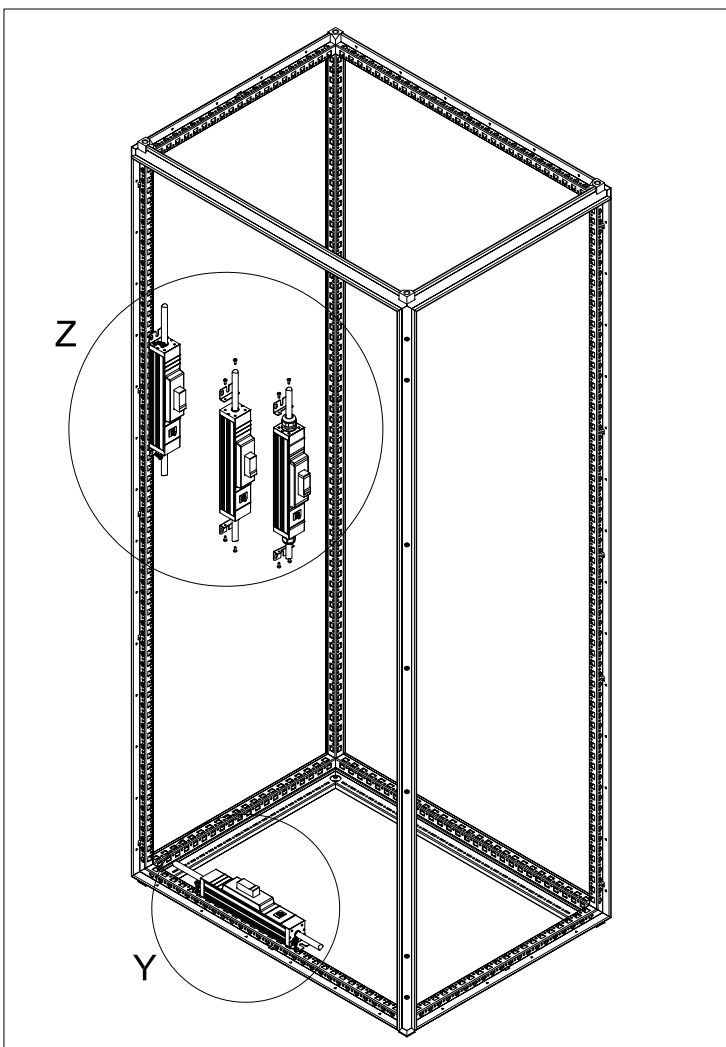


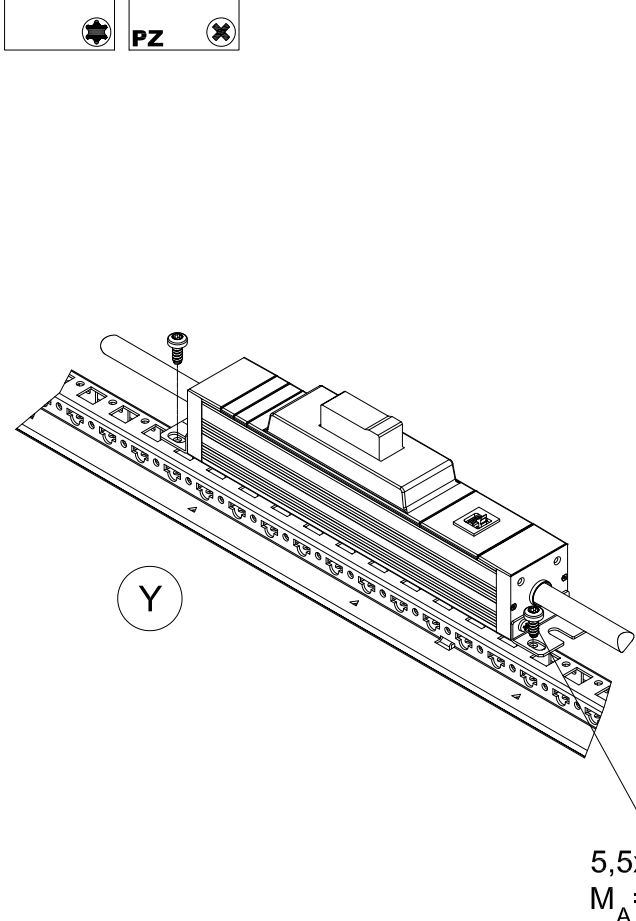
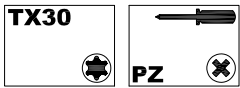


DK

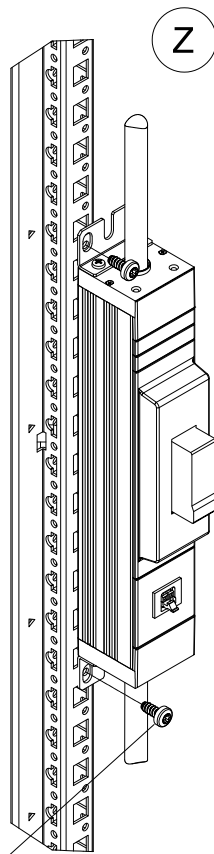
7979.721
7979.722
7979.723
7979.724



| | | |
|----|--|----------------------|
| 2x | | 7979.721 7979.722 |
| 2x | | 7979.723 7979.724 |
| 4x | | 3,5x13 |
| 2x | | 5,5x13 |



5,5x13
 $M_A = 5Nm$



3,5x13
 $M_A = 1Nm$

7979.721
7979.722

7979.723
7979.724

