



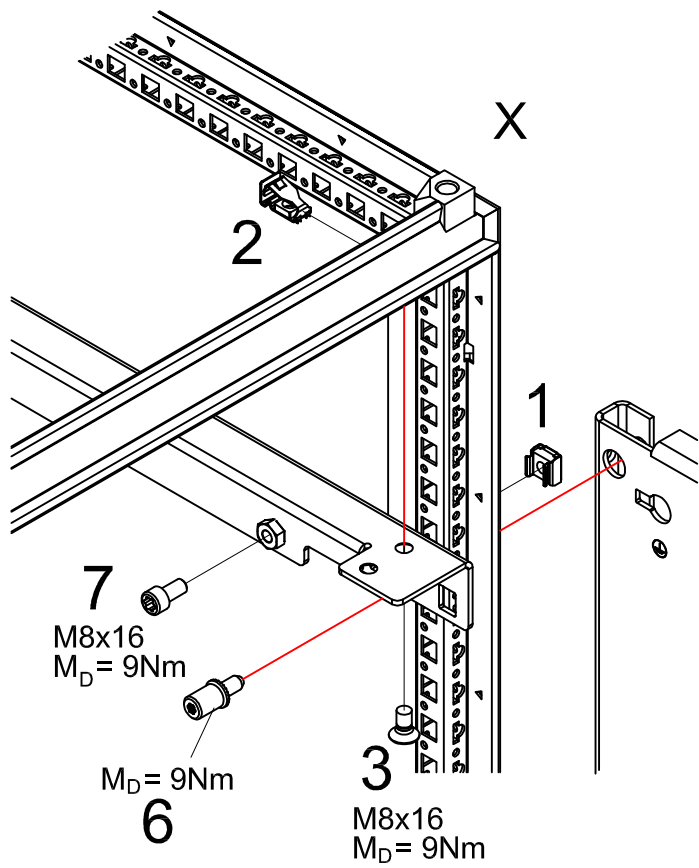
VX

8617.400

8617.401

8617.402

Raum für Verpackungsdatum  
Area for date of packing  
(MMJJTT / MMYDD)



4x



M8

2x



M8

4x



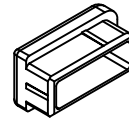
M8x16

4x



M8x16

2x



Zchng.-Nr. / No. of dwg. : A07531101VX

Versandbeutel-Nr. / No. of accessory bag : 338242

Lieferanten-Nr. / No. of supplier :

