



VX  
8618.420

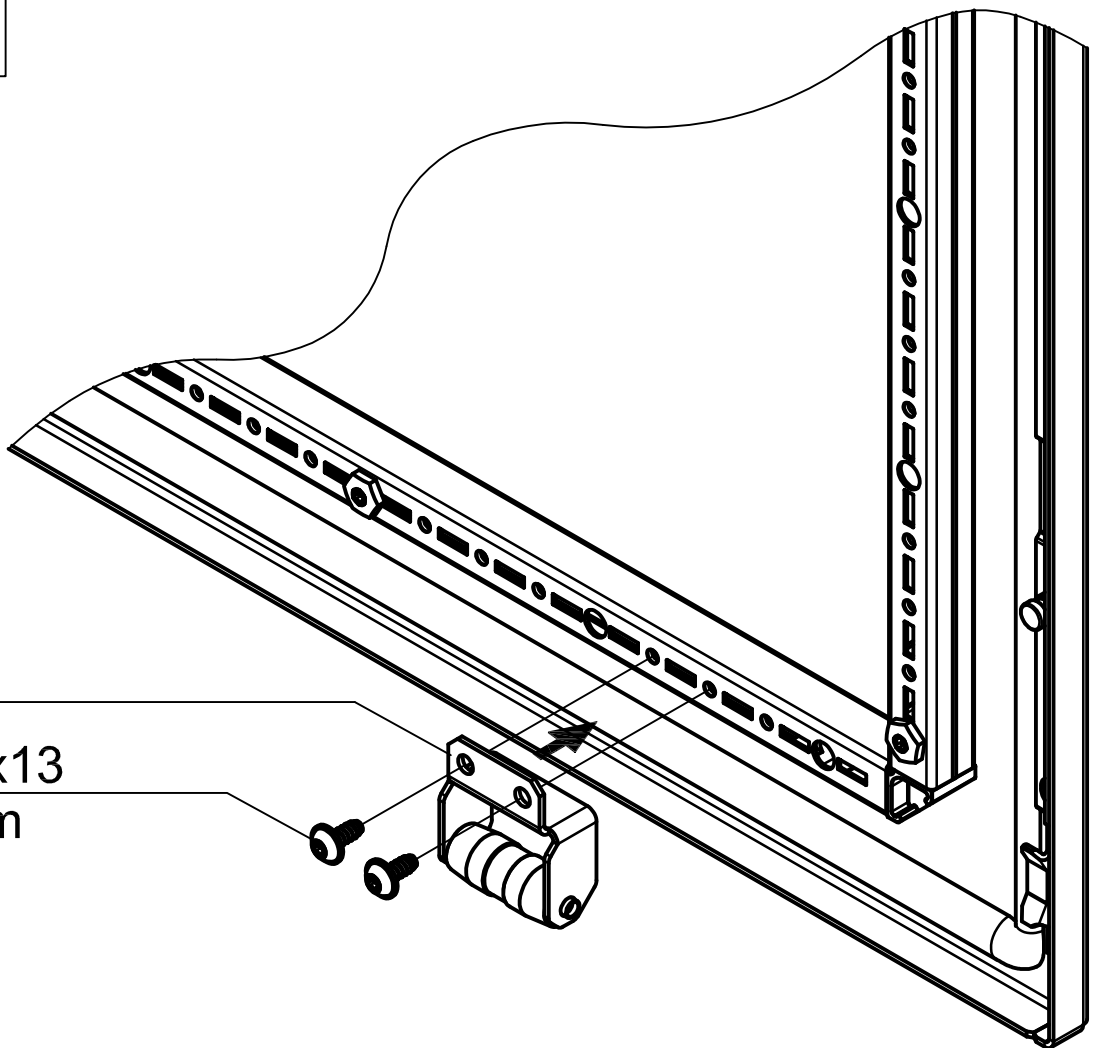
**TX30**



10x

20x 5,5x13

$M_D = 5Nm$



Zchng.-Nr. / No. of dwg. : A07581100VX

Versandbeutel-Nr. / No. of accessory bag : 371394

Lieferanten-Nr. / No. of supplier :