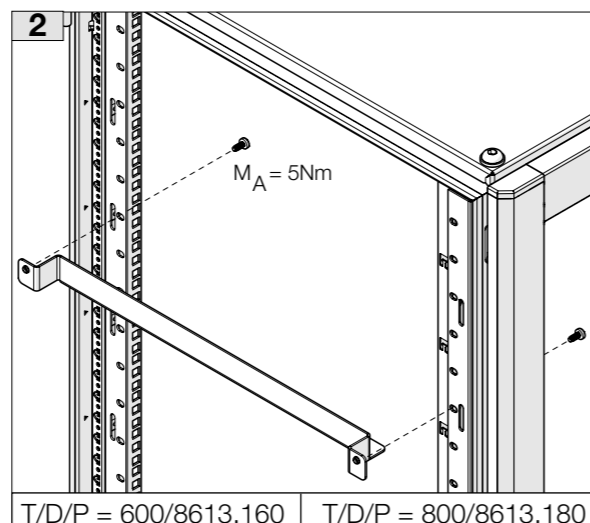
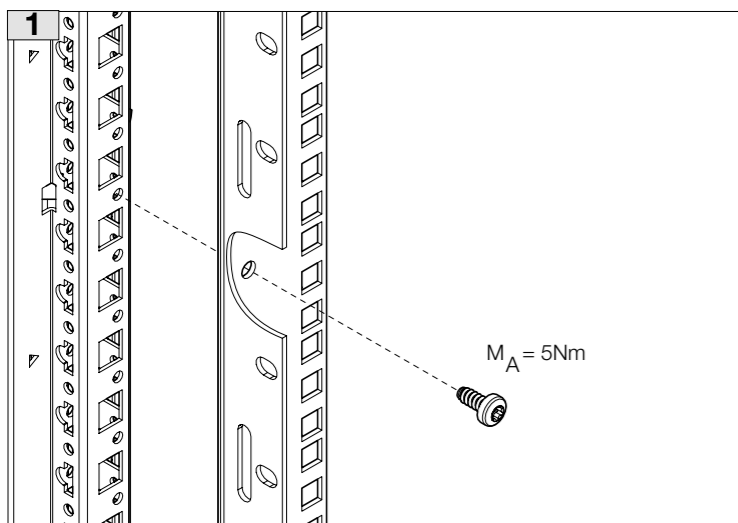




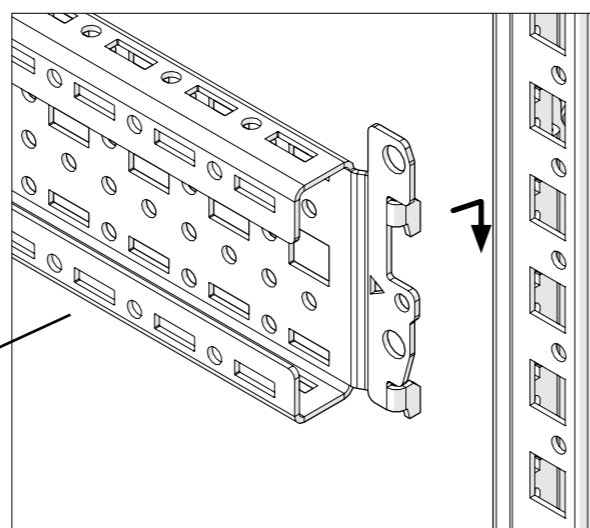
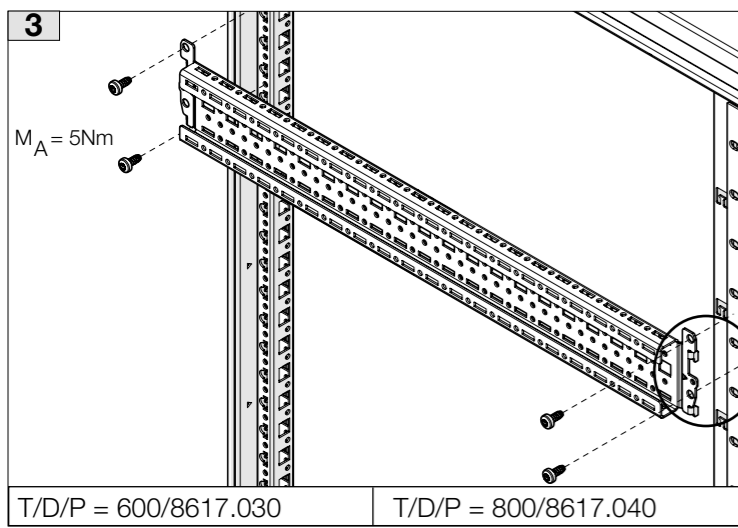
8619.300  
8619.310  
8619.320



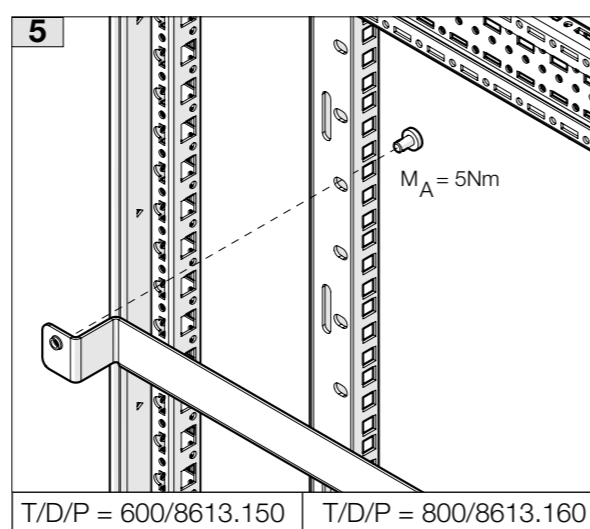
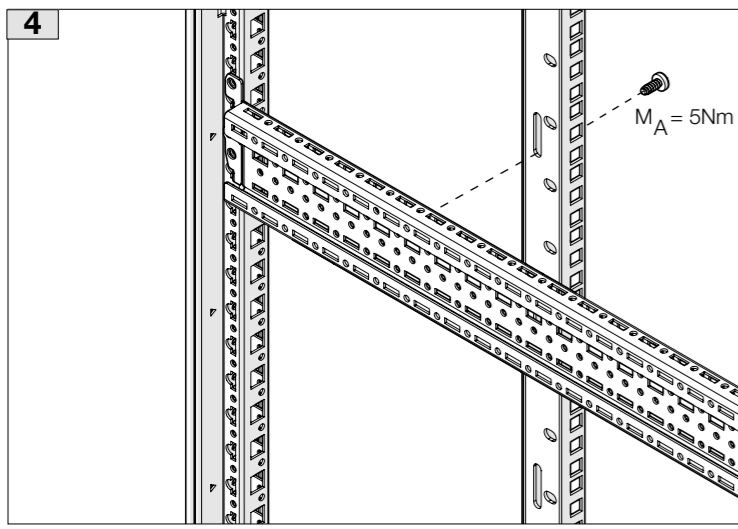
8619.330



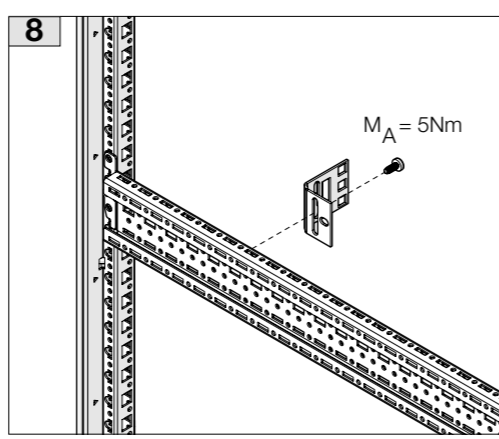
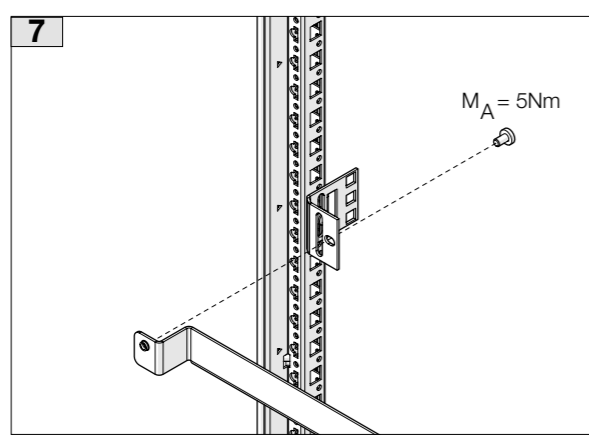
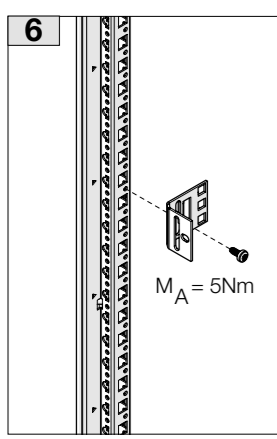
T/D/P = 600/8613.160 | T/D/P = 800/8613.180



T/D/P = 600/8617.030 | T/D/P = 800/8617.040

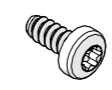


T/D/P = 600/8613.150 | T/D/P = 800/8613.160

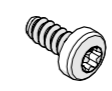


24x

8x (8619.330)



ST5,5x13



ST5,5x13

