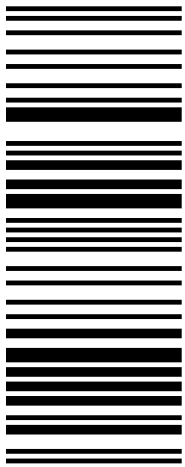


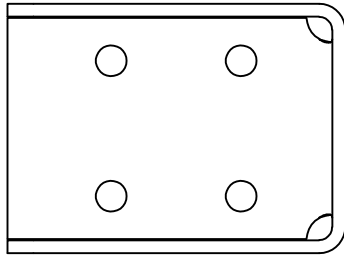
TS  
8801.000



4028177516977

Raum für Verpackungsdatum  
Area for date of packing  
(MMJJTT / MMYDD)

2x



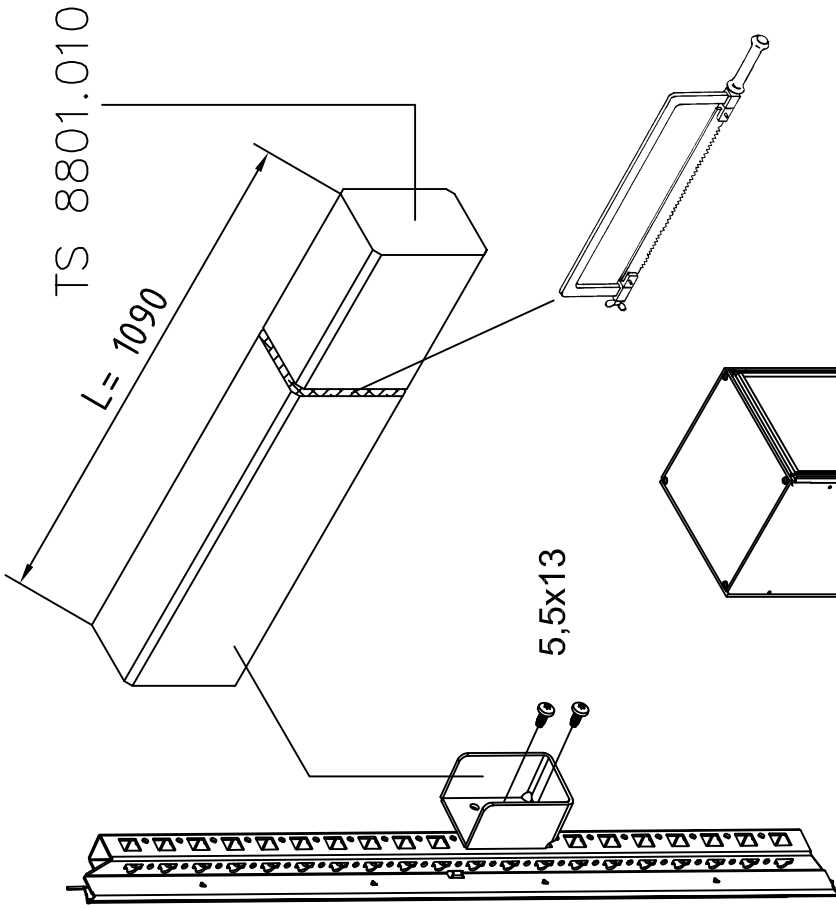
4x



5,5x13

Zchng.-Nr. / No. of dwg. : A3573803TS  
Versandbeutel-Nr. / No. of accessory bag :-

Made in xxxx  
Lieferanten-Nr. / No. of supplier :



B	L
600	490
800	690
1000	890
1200	1090

