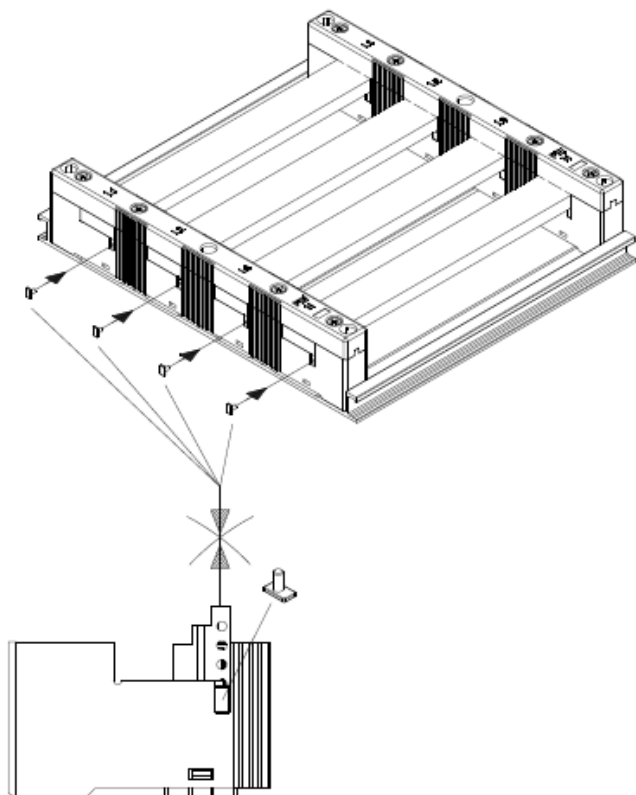


Optional / optional / optionnel



Article No.	SV9340.004			
Suitable for use on a circuit capable of delivering not more than SCCR symmetrical amperes [kA]	Maximum voltage AC [V]	Maximum condition when protected by	Spacing between supports [mm]	Busbar dimension WxH [mm]
65	600	Class L 800A Fuses	250	15/20/25/30 x5/10
30	600	-	250	15/20/25/30 x5/10
25	600	-	500	30x5/10
22	600	-	500	15/20/25x 5/10

For further information: www.rittal.com



Raum für Verpackungsdatum
Area for date of packing
(MMJJTT / MMYDD)

SV
9340.004

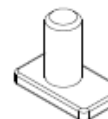


4 Sammelschienenhalter
60 mm Schienenmittenabstand

4 Busbar supports
60 mm busbar centre distance

4 Supports de jeux de barres
60 mm d'écartement entre les axes des barres

16x



Zchng.-Nr. / No. of dwg. : A3730302SV

Versandb.-Nr. / No. of accessory bag : 81326262

Lieferanten-Nr. / No. of supplier :

