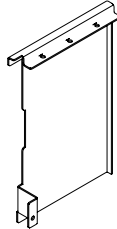


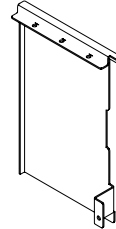


www.rittal.com

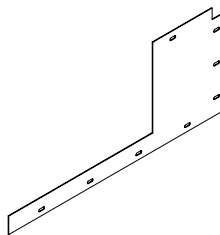
1x



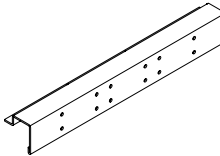
1x



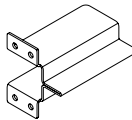
2x



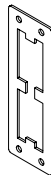
2x



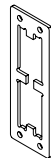
6x



8x



8x



92x

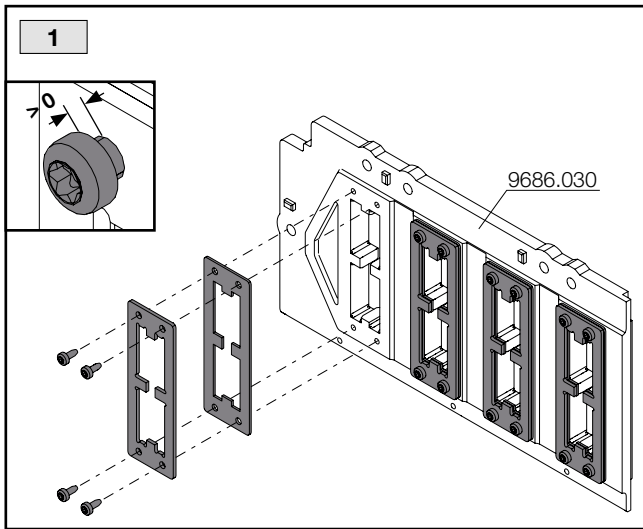


M5x12

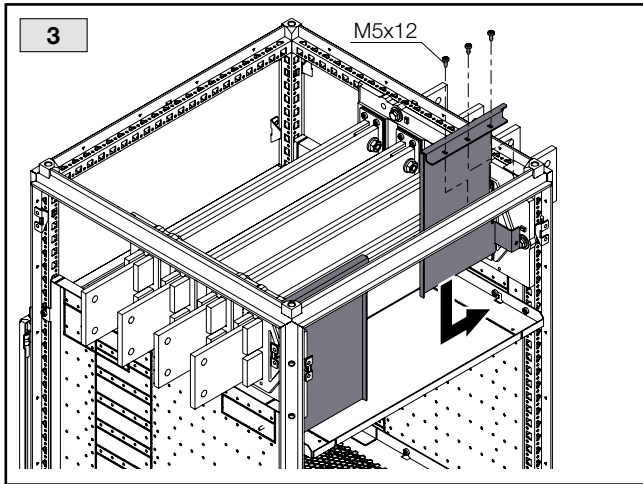
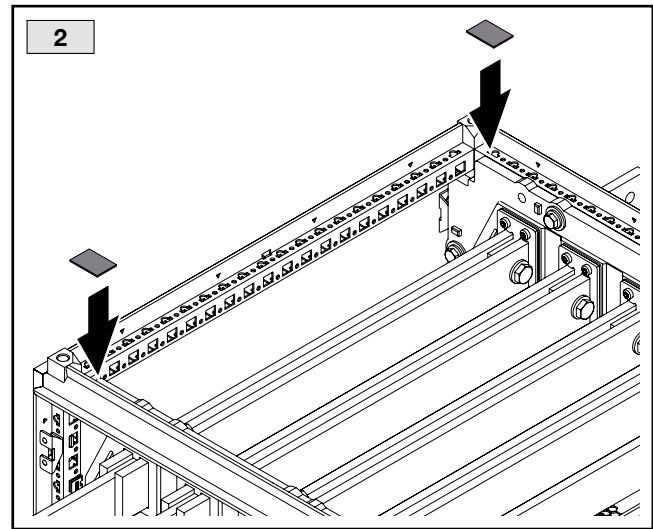
1x



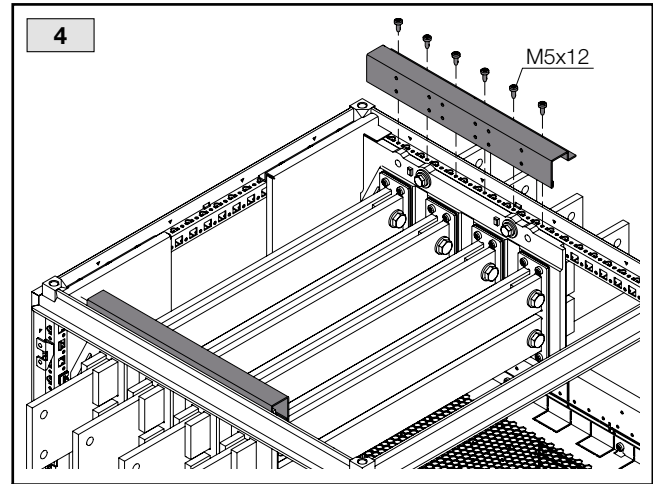
25x1,5 (4 m)



TX30

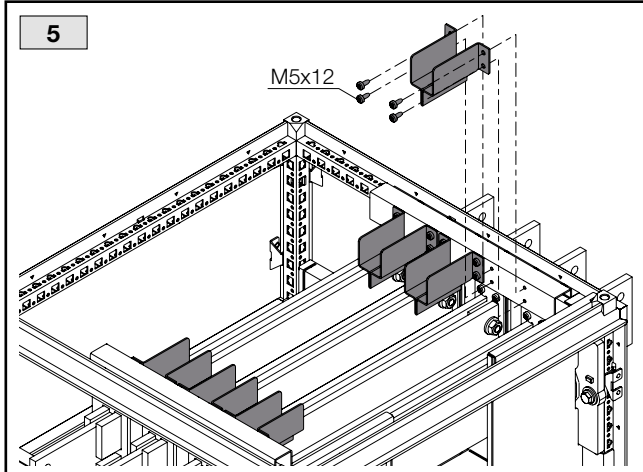


TX30

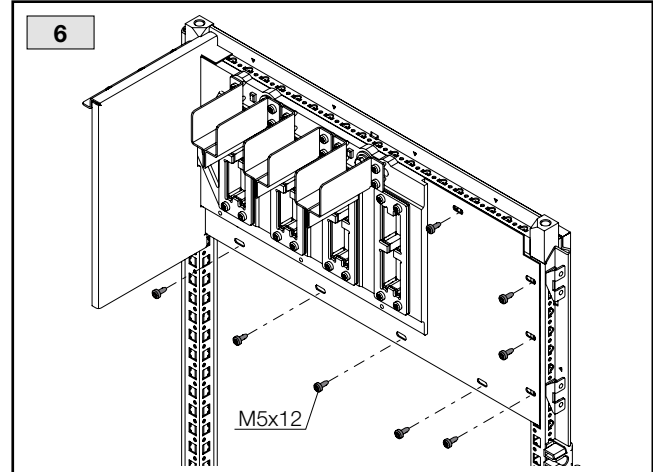


$M_A = 5 \text{ Nm (6x)}$

$M_A = 5 \text{ Nm (12x)}$

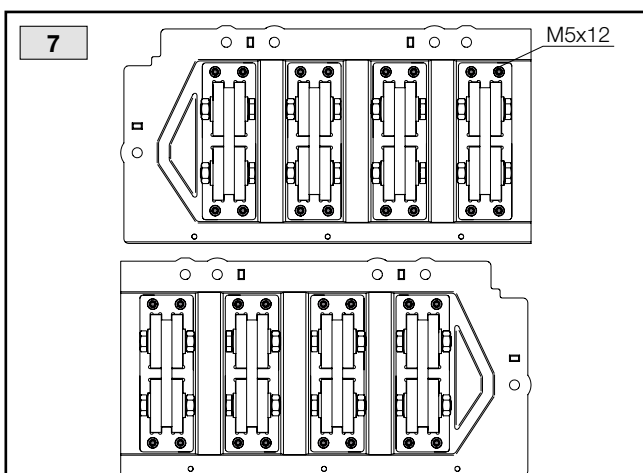


TX30

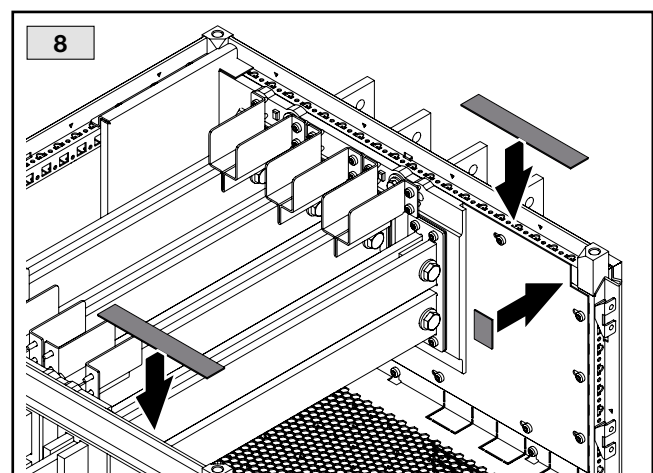


$M_A = 5 \text{ Nm (24x)}$

$M_A = 5 \text{ Nm (16x)}$



TX30



$M_A = 5 \text{ Nm (32x)}$