

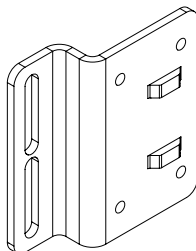


SV
9686.495

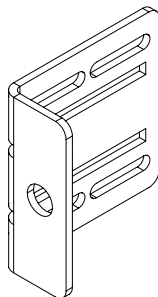


www.rittal.com

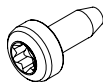
4x



4x

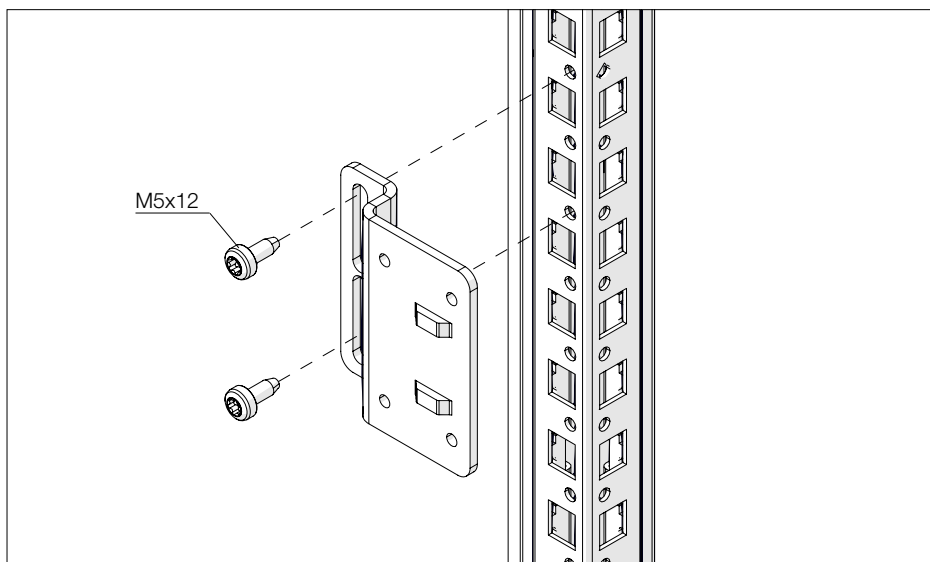


16x

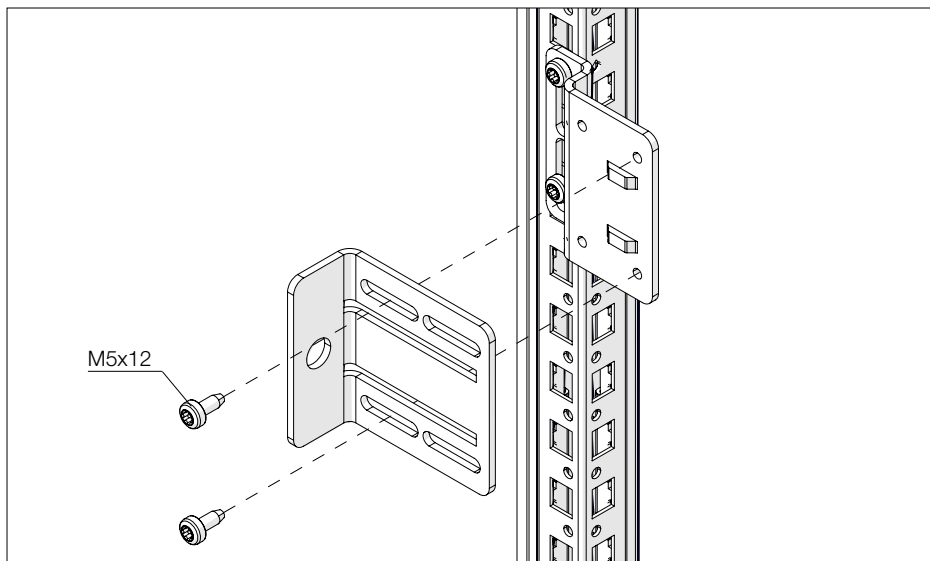


M5x12

TX30



$M_A = 5 \text{ Nm}$



$M_A = 5 \text{ Nm}$