

1

2

3

4

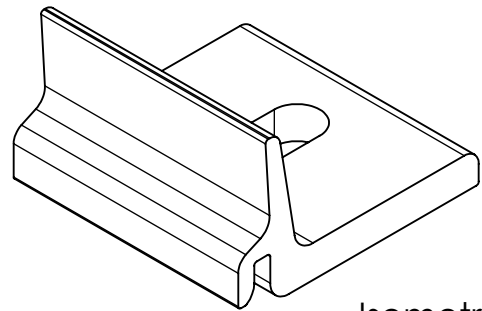
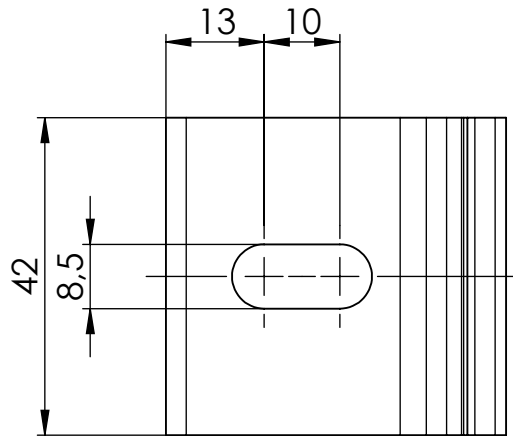
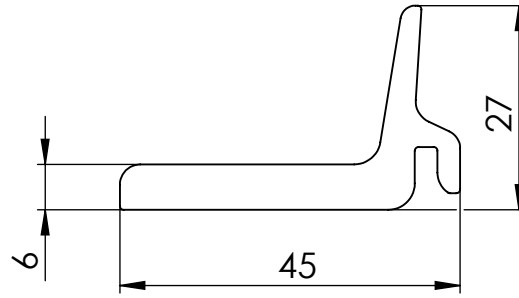
A

B

C

D

E



Isometric
S 1:1



K2 Systems GmbH
Industriestr. 18
71272 Renningen
Germany
+49 7159 42059-0

Designation:

Data sheet
Climber 36/50 long-hole

F

	Name	Date	Material:	Item no.:	2003140	A4
Designed	S. Frey	23.02.2021	EN AW 6063 T66			
Approved	B. Koch	06.12.2022	Surface: mill finish	Drawing no.:	04-017-06	All dimensions in mm
Last change	A. Soumpalas	05.10.2021	Weight: ca. 36.4 g/pc	Scale: 1:1		Sheet 1 of 1

This drawing is the sole property of K2 Systems GmbH. It is protected by copyright and may only be copied, reproduced or distributed to a third party with explicit permission!