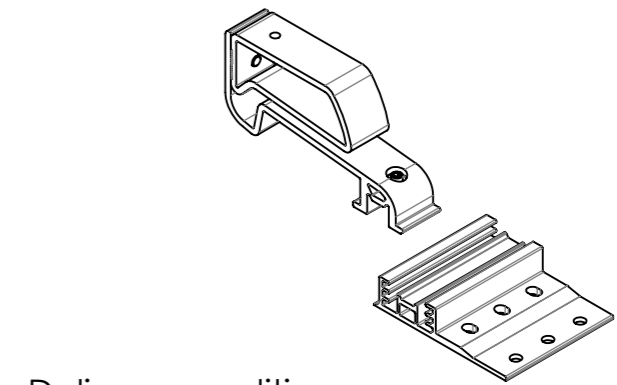
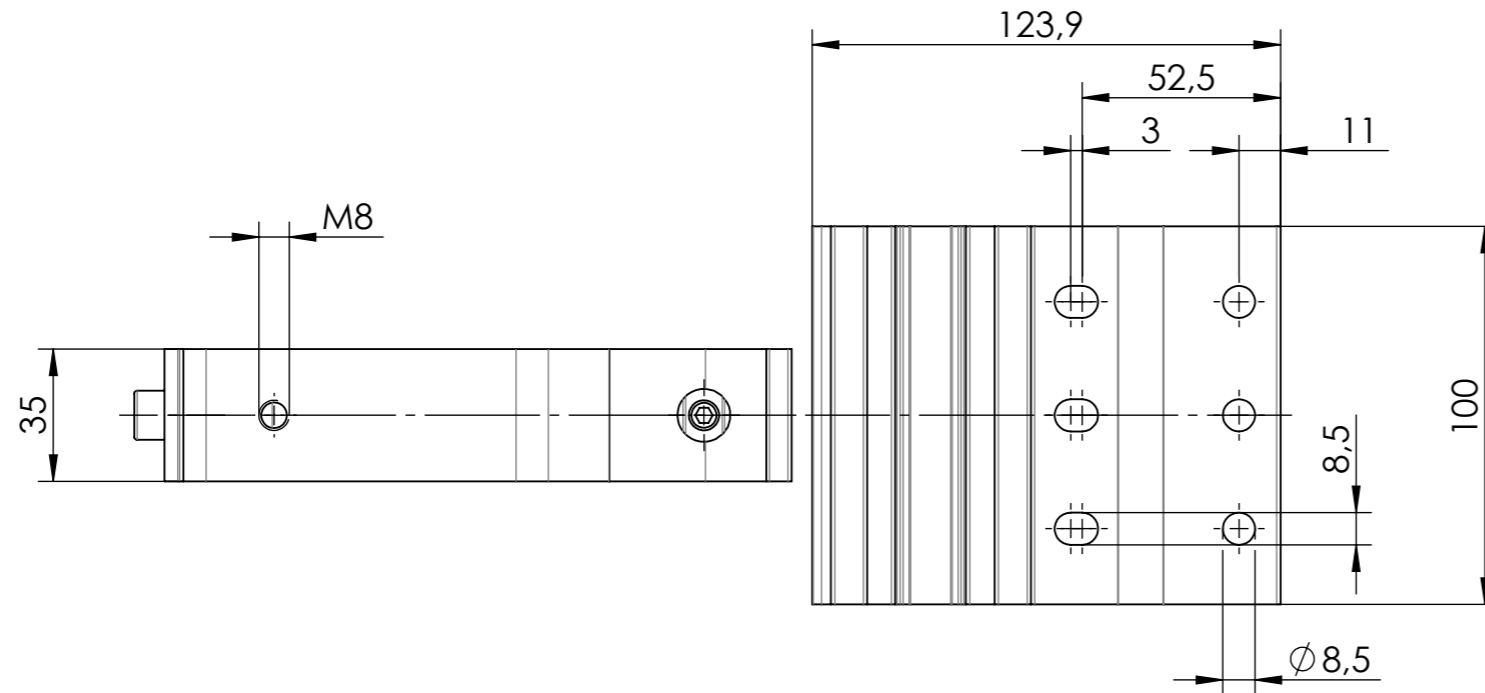
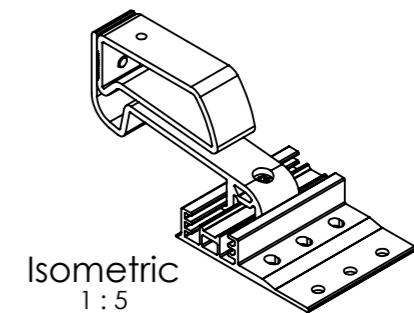


Additional mounting option in the lath at high tensile loads



Delivery conditions  
1:5



Isometric  
1:5

Pos.No.	Designation	Material	Quantity
1	SingleHook 3S Base plate	EN AW 6063 T66	1
2	SingleHook 2G Bracket top	EN AW 6063 T66	1
3	SingleHook 2G Bracket bottom	EN AW 6063 T66	1
4	Socket head bolt - ISO 4762 - M8x16	A2-70	1
5	Hexagon socket screw headless - DIN 913 - M8x20	A2	1



K2 Systems GmbH  
Industriestr. 18  
71272 Renningen  
Germany  
+49 7159 42059-0

Designation: **Data sheet  
SingleHook 2G**

	Name	Date	Material:
Designed	A. Gerstenberger	17.03.2023	see table
Approved	S. Frey	06.07.2023	Surface: -
Last change	E. Markou	06.07.2023	Weight: ca. 514,11 g/pc Scale: 1:2

Item no.:	<b>2000636</b>	A3
Drawing no.:	02-093-05	All dimensions in mm
		Sheet 1 of 1

This drawing is the sole property of K2 Systems GmbH. It is protected by copyright and may only be copied, reproduced or distributed to a third party with explicit permission!