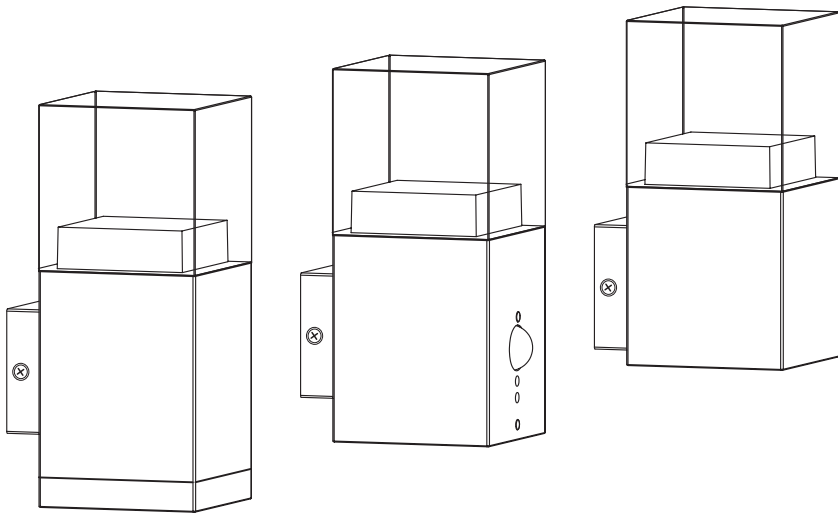


---

**ENDURA® STYLE**


---



	EAN	W	lm	K	Temp (°C)	V~	mA	Hz	DF
ENDURA STYLE CRYSTAL WALLUPDOWN9WST	4058075474130	9	800	3000	-20...+50	220-240	65	50/60	>0.5
ENDURA STYLE CRYSTAL WALL SEN 5W ST	4058075474154	5	400	3000	-20...+50	220-240	60	50/60	>0.5
ENDURA STYLE CRYSTAL WALL 4.5W ST	4058075474178	4.5	400	3000	-20...+50	220-240	40	50/60	>0.5

1x

890 g      1100 g      1100 g

4058075474178      4058075474154      4058075474130

2x      2x

mm

	L	W	H
CRYSTAL WALL UPDOWN 9W ST	105	80	215
CRYSTAL WALL SENSOR 5W ST	105	80	200
CRYSTAL WALL 5W ST	105	80	160

1

ON OFF ON ON ON OFF OFF ON ON

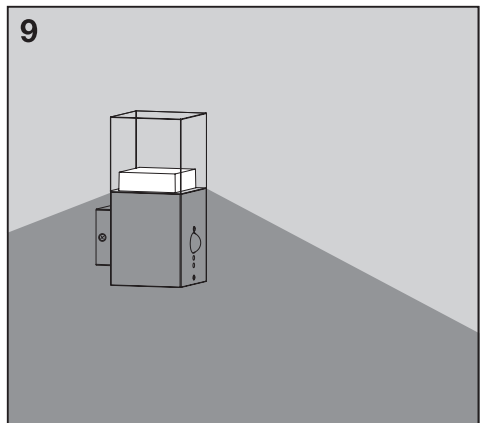
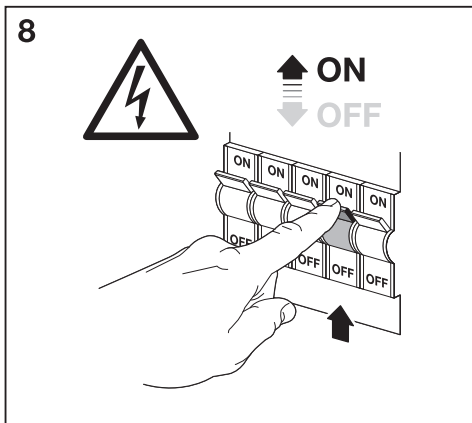
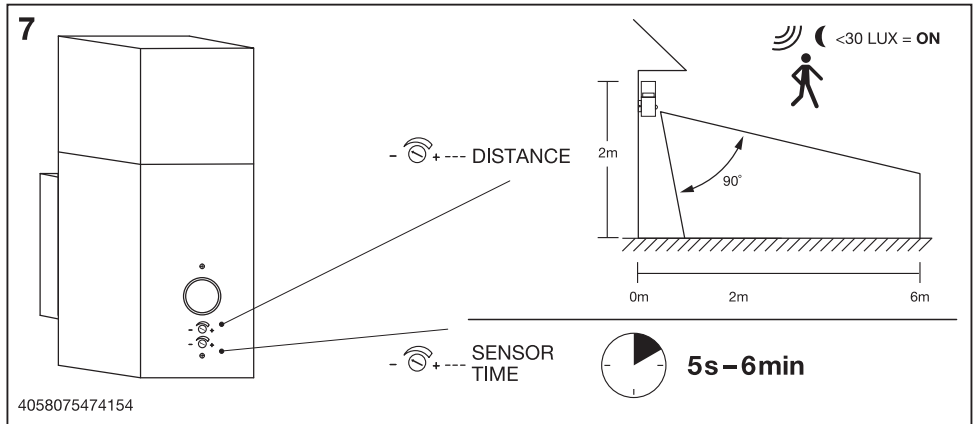
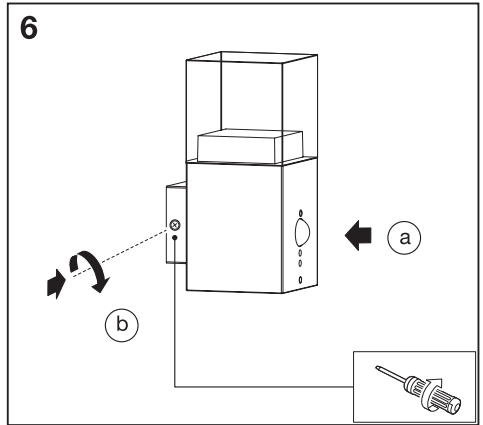
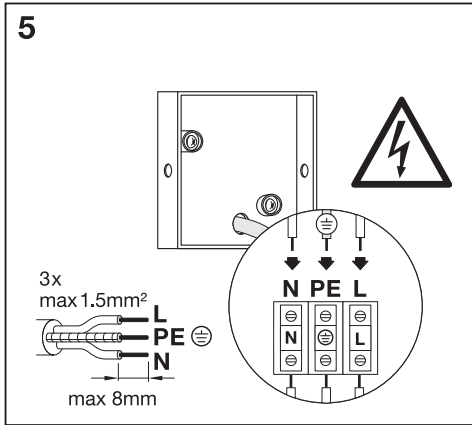
ON  
OFF




2

3

∅ 6mm

4



	EAN	This product contains a light source of energy efficiency class	Contained Light Source
ENDURA STYLE CRYSTAL WALLUPDOWN9WST	4058075474130	E	
ENDURA STYLE CRYSTAL WALL SEN 5W ST	4058075474154	E	
ENDURA STYLE CRYSTAL WALL 4.5W ST	4058075474178	E	



C10449057  
G11121835  
13.04.2022



LEDVANCE GmbH  
Steinerne Furt 62  
86167 Augsburg, Germany  
[www.ledvance.com](http://www.ledvance.com)