

Product End-of-Life Instructions

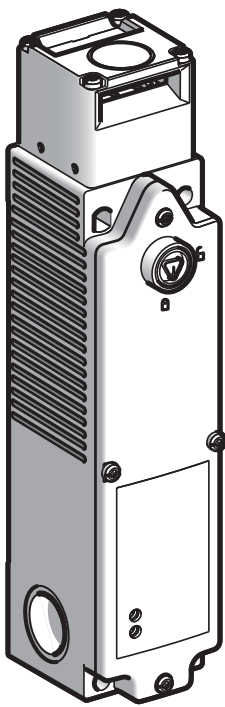
Plastic Safety Interlock Switch

Product Range

Plastic Safety Interlock Switch

Marketing Model

XCSLE, XCSTE Plastic Safety Interlock Switches and XCSZ Plastic Safety Interlock Switches Accessories.



Size of the XCSLE3737312 in mm:

L x D x H : 43 x 50 x 205

Weight in g:

550 g for XCSLE3737312

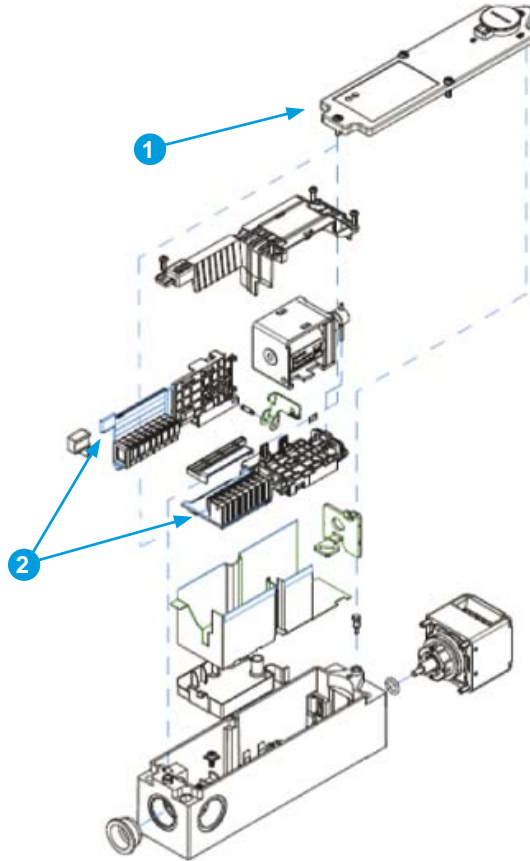


Operations recommended for the end of life treatment

There are several steps to process the products at the end of life so as to recover components, materials or energy:

Reuse ⇒ Separation for special treatment ⇒ Other dismantling ⇒ Shredding

The components of the products that are recommended to be separated from the flow of waste for special treatment are listed, identified and located hereunder.



Recommendation	Number on drawing	Components	Weight (g)	Comment
Special treatment	1	Cover	37	The weight of the cover depends on the commercial reference. Dismantle it and send it for special treatment
Special treatment	2	Printed Circuit Boards	35	The weight of the printed circuit boards depends on the commercial reference. Dismantle them and send them for special treatments.

For more information please contact us at: global-green-sensors@schneider-electric.com.

Schneider Electric Industries SAS

35, rue Joseph Monier
CS30323
F - 92506 Rueil Malmaison Cedex

RCS Nanterre 954 503 439
Capital social 896 313 776 €
www.schneider-electric.com

The version of the Guide used to create the document: End of Life Instruction Drafting Guide of Schneider Electric version V2.

Publication: Schneider Electric