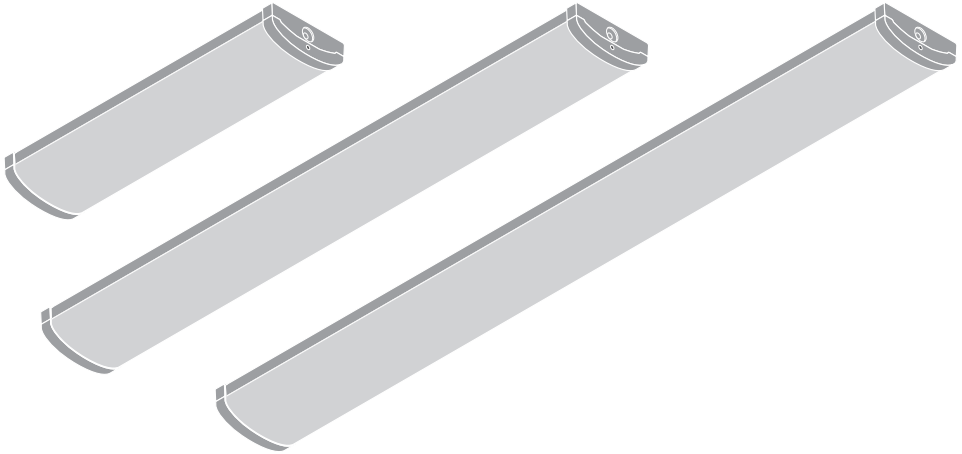
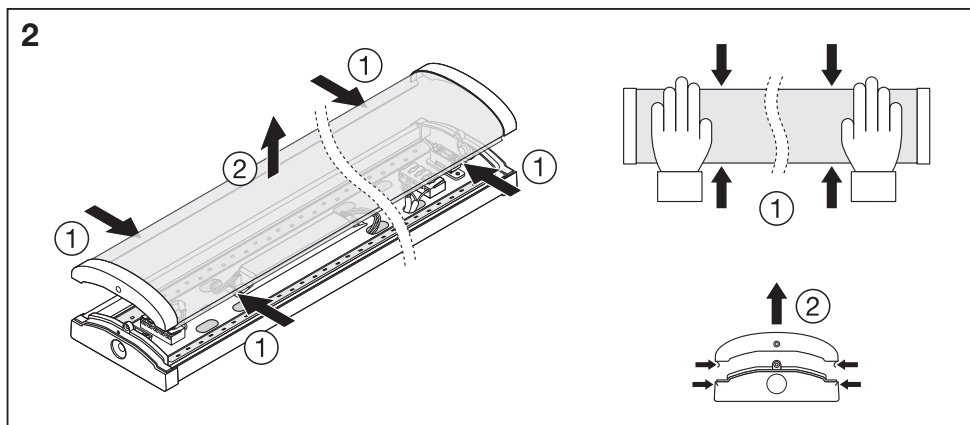
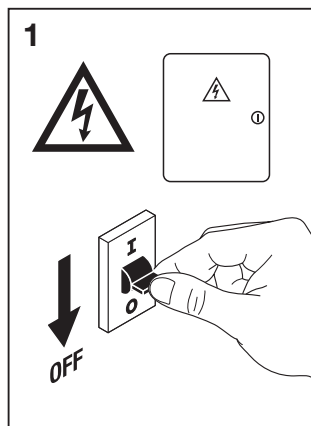
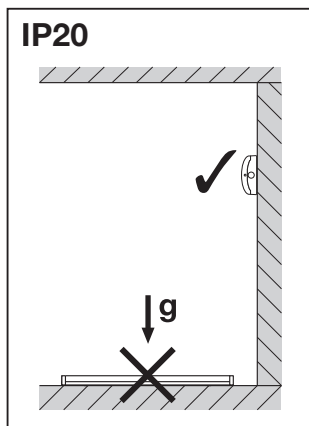
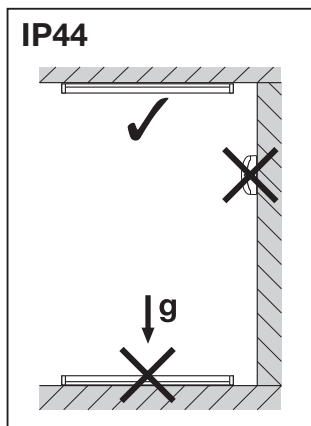
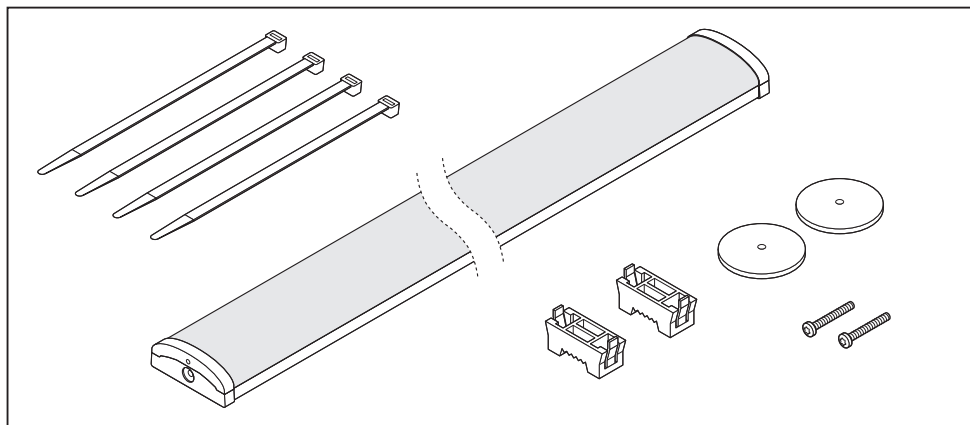


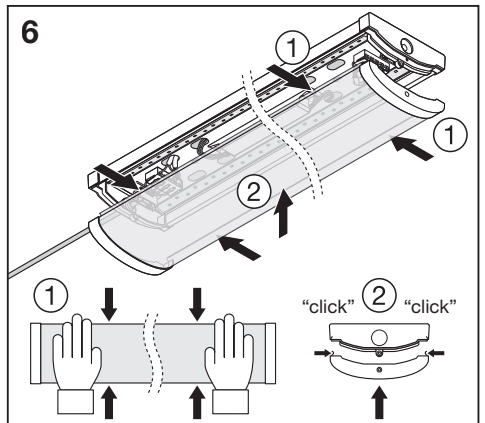
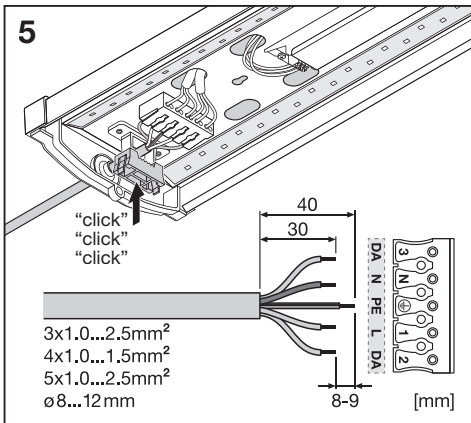
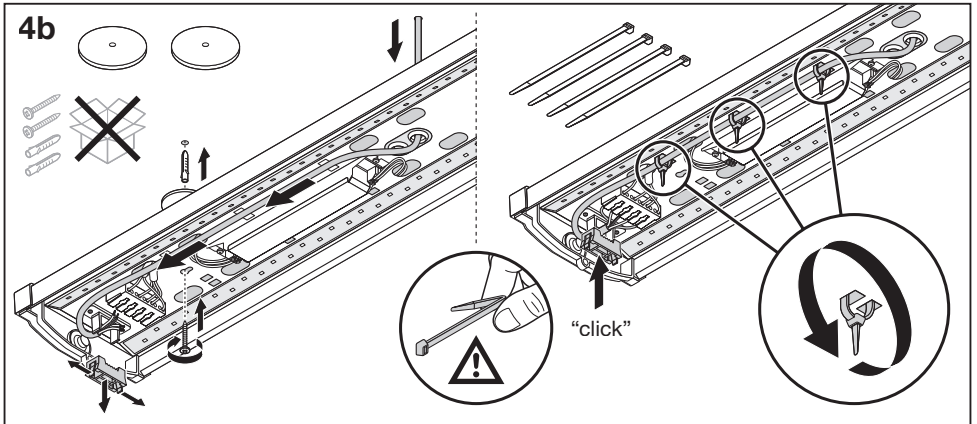
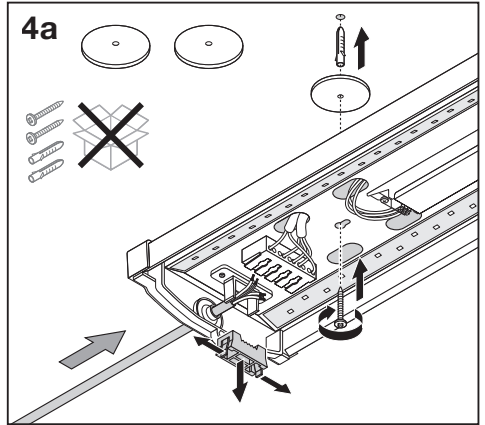
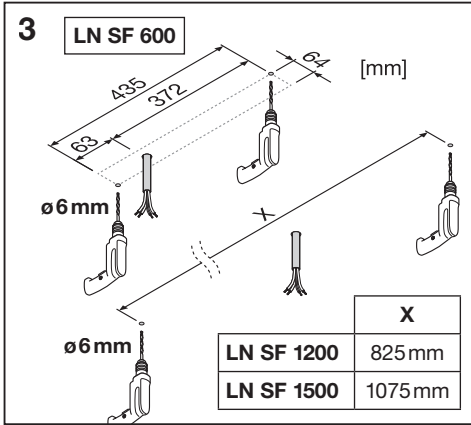
## LINEAR SURFACE DALI

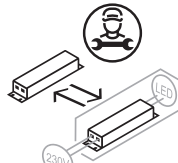
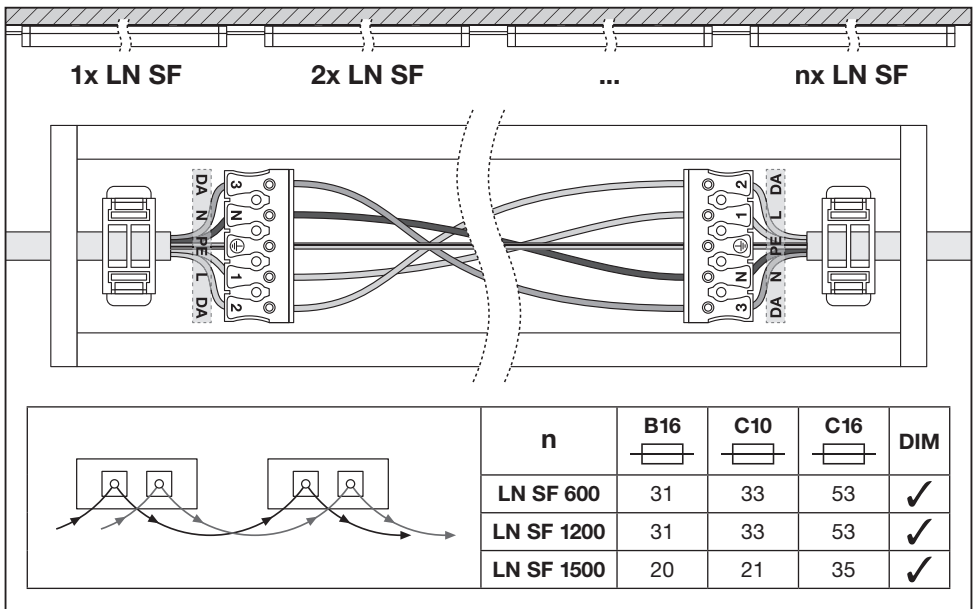
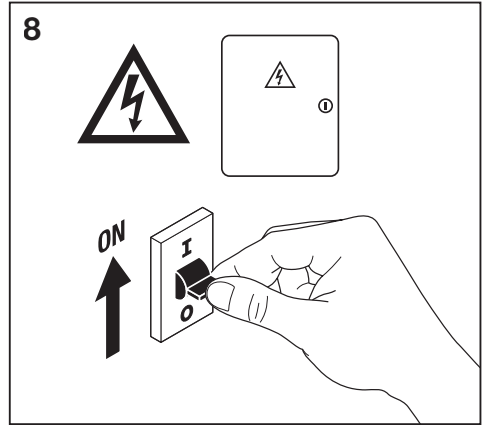
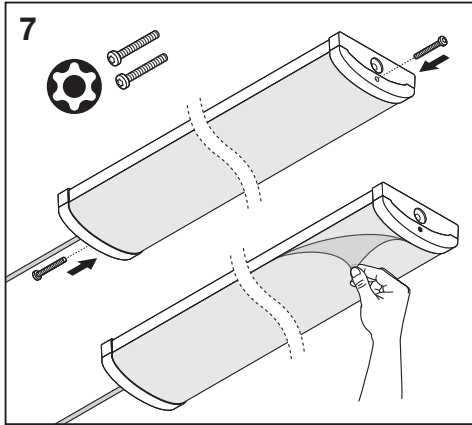


	EAN	l x w x h [mm]	W	V <sub>AC</sub>	Hz	lm	lm/W
LN SF 600 P 18W 840 WT IP44 DALI	4058075733336	608 x 166 x 63	18	220-240V	50/60Hz	2466	137
LN SF 1200 P 32W 840 WT IP44 DALI	4058075733350	1176 x 166 x 63	32	220-240V	50/60Hz	4384	137
LN SF 1500 P 45W 840 WT IP44 DALI	4058075733374	1476 x 166 x 63	45	220-240V	50/60Hz	6165	137
LN SF 600 P 18W 830 WT IP44 DALI	4058075733398	608 x 166 x 63	18	220-240V	50/60Hz	2340	130
LN SF 1200 P 32W 830 WT IP44 DALI	4058075733411	1176 x 166 x 63	32	220-240V	50/60Hz	4160	130
LN SF 1500 P 45W 830 WT IP44 DALI	4058075733435	1476 x 166 x 63	45	220-240V	50/60Hz	5850	130

	EAN	K	IP	IK	∠	R <sub>a</sub>	ⓘ (°C)	PF	👤
LN SF 600 P 18W 840 WT IP44 DALI	4058075733336	4000	44	08	110°	80	-20...+40	> 0.9	1.5kg
LN SF 1200 P 32W 840 WT IP44 DALI	4058075733350	4000	44	08	110°	80	-20...+40	> 0.9	2.4kg
LN SF 1500 P 45W 840 WT IP44 DALI	4058075733374	4000	44	08	110°	80	-20...+40	> 0.9	3.0kg
LN SF 600 P 18W 830 WT IP44 DALI	4058075733398	3000	44	08	110°	80	-20...+40	> 0.9	1.5kg
LN SF 1200 P 32W 830 WT IP44 DALI	4058075733411	3000	44	08	110°	80	-20...+40	> 0.9	2.4kg
LN SF 1500 P 45W 830 WT IP44 DALI	4058075733435	3000	44	08	110°	80	-20...+40	> 0.9	3.0kg







C10449057  
G11142796  
26.09.22

LEDVANCE GmbH  
Steinerne Furt 62  
86167 Augsburg, Germany  
[www.ledvance.com](http://www.ledvance.com)

© LEDVANCE Ltd, Aquila House  
Delta Crescent, Westbrook, Warrington  
WA5 7NR, United Kingdom