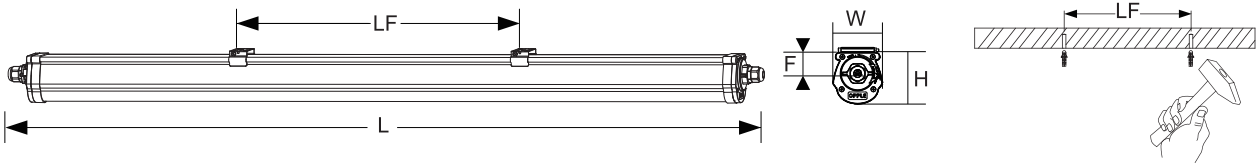
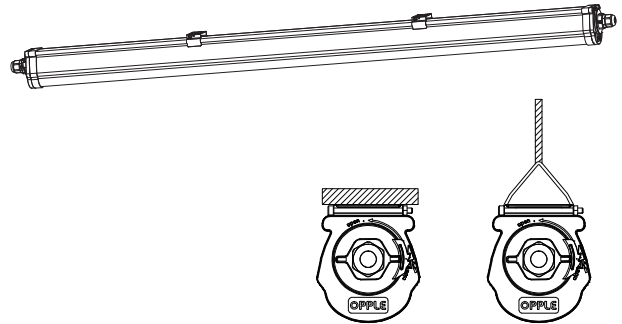


LED Waterproof Performer G3

OPPLE

Version date 20-03-2020
www.opple.com

Item Code	CCT	kg
543022015500	4000K	0.89kg
543022015600	4000K	0.89kg
543022015800	4000K	1.55kg
543022015700	4000K	1.55kg
543022015900	6500K	1.55kg
543022016000	4000K	1.714kg
543022016100	4000K	1.714kg
543022016200	4000K	1.714kg
543022016600	6500K	1.714kg
543022024100	4000K	2.35kg
543022024200	4000K	2.35kg
543022016300	4000K	1.595kg
543022016400	4000K	1.772kg
543022016500	4000K	1.772kg



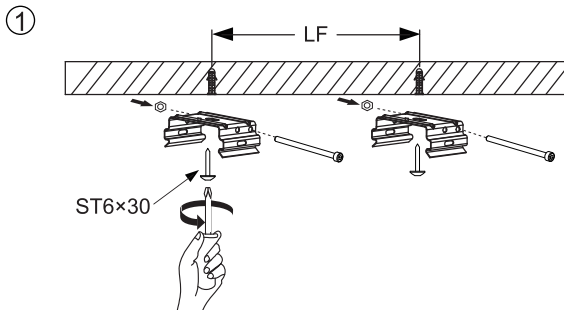
Model	L (mm)	LF (mm)	W (mm)	H (mm)	F (mm)	Rated Power	Max total luminaires connected using external 1.5mm ² wire	Max total luminaires connected using external 2.5mm ² wire
LED WP-P3 L710-12.5W	710	300	81	78	22	12.5W	20	40
LED WP-P3 L710-24W	710	300				24W	15	30
LED WP-P3 L1310-24W	1310	600				24W	15	30
LED WP-P3 L1310-38W	1310	600				38W	15	30
LED WP-P3 L1310-38W	1310	600				38W	15	30
LED WP-P3 L1610-31W	1610	750				31W	15	30
LED WP-P3 L1610-47W	1610	750				47W	10	20
LED WP-P3 L1610-54W	1610	750				54W	10	20
LED WP-P3 L1610-54W	1610	750				54W	10	20
LED WP-P3 L1610-75W	1610	750				75W	5	6
LED WP-P3 L1610-90W	1610	750				90W	5	6
LED WP-P3 L1310-38W PLUS	1310	600				38W	15	30
LED WP-P3 L1610-31W PLUS	1610	750				31W	15	30
LED WP-P3 L1610-54W PLUS	1610	750				54W	10	20

Rated Voltage: 220-240V~ Frequency: 50/60Hz

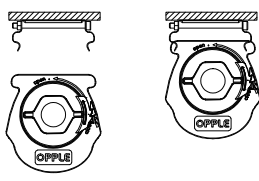
Max current should not exceed 16A in one power feed in circuit (L1+L2+L3)

Installation

Surface Mounting

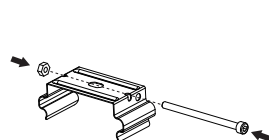


②



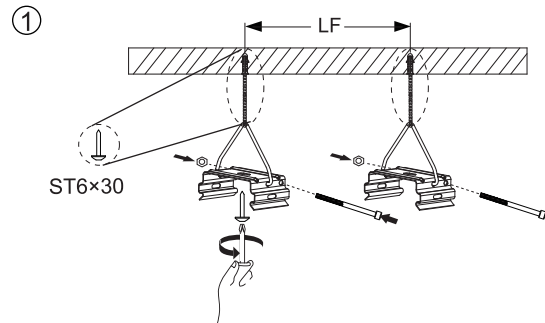
PUSH

③ Optional safety screw

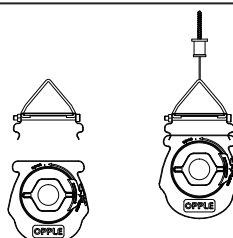


⊙ Hex screw: M4x60

Suspension Mounting

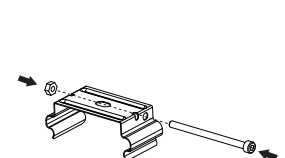


②



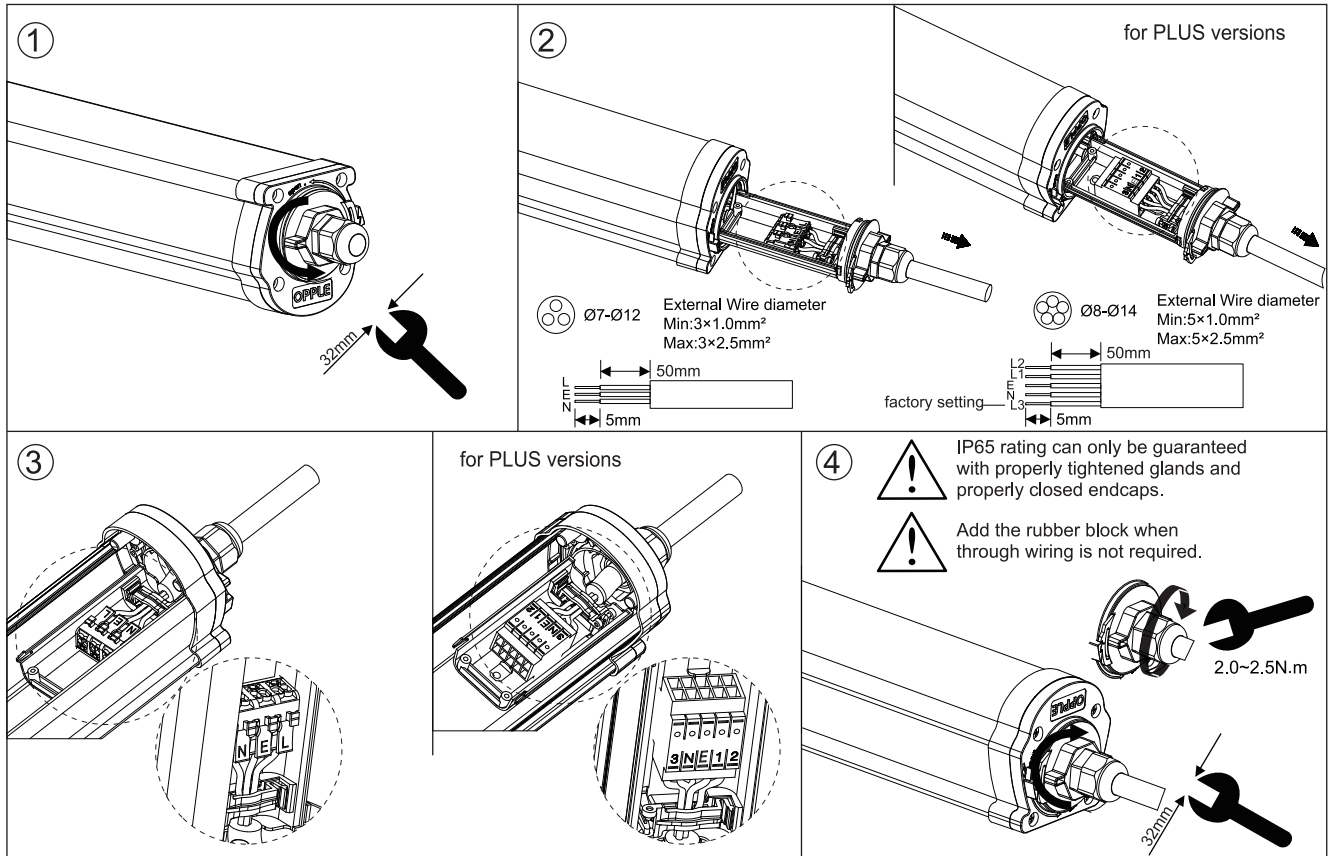
PUSH

③ Optional safety screw

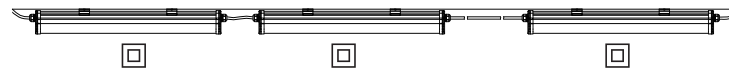


⊙ Hex screw: M4x60

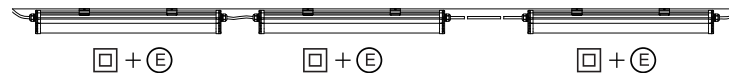
Wiring



LUMINAIRE IS ELECTRICAL PROTECTION CLASS II, GROUND WIRING IS NOT MANDATORY



The luminaire is equipped with an extra through wire that can be used to connect the ground wire to the end of the line



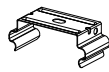
Components



x2



x2



x2



x2



x2



x2



x1

Components included in the packaging inside the components box.



Caution: Any operation on LED module is forbidden while power-on.
Zur Vermeidung von Risiken müssen defekte Leitungen ausschließlich vom Hersteller, Inverkehrbringer oder Fachmann ausgetauscht werden.
Achtung: In Betrieb ist keine Arbeit am LED-Modul erlaubt.



For non-user replaceable light sources:
The light source contained in this luminaire shall only be replaced by the manufacturer or his service agent or a similar qualified person.
Das Leuchtmittel dieser Leuchte ist nicht austauschbar. Wenn das Leuchtmittel das Ende seiner Lebensdauer erreicht hat, muss die gesamte Leuchte ersetzt werden.



For use in environments where normal non-conductive/conductive dust accumulation may be expected, not for use in environments with expected high/unusual dust accumulation.

