

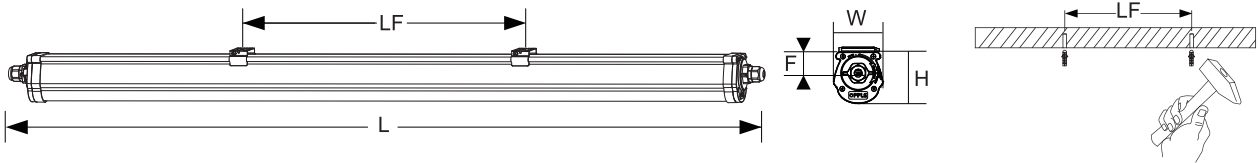
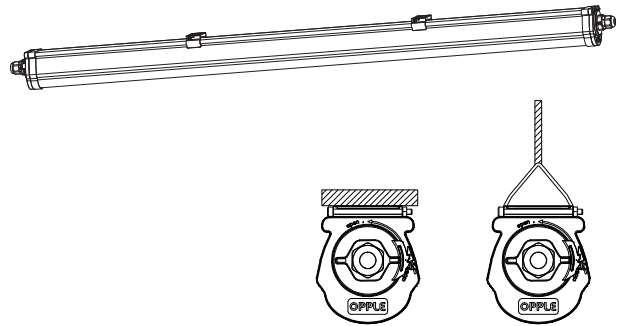
# LED Waterproof Performer G3 DALI

# OPPLE

Version date 08-11-2019  
www.opple.com

Item Code	CCT	kg
-----------	-----	----

543022018100	4000K	1.06kg
543022018200	4000K	1.06kg
543022018300	4000K	1.64kg
543022018400	6500K	1.64kg
543022018500	4000K	1.64kg
543022018600	4000K	1.95kg
543022018800	4000K	1.95kg
543022018900	6500K	1.95kg

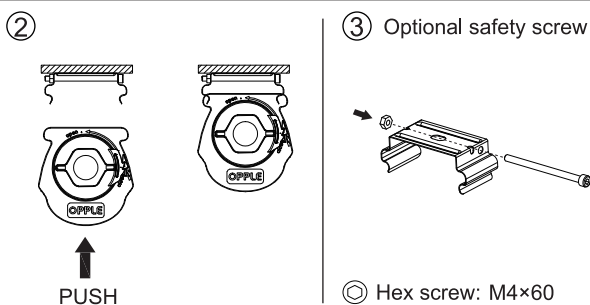
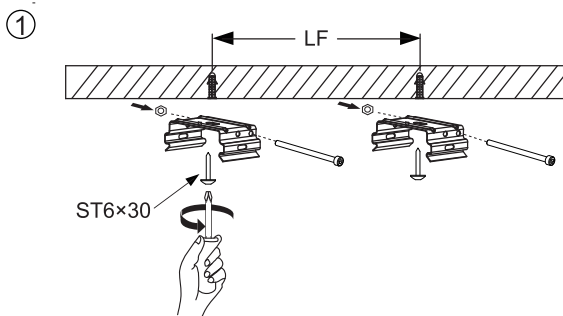


Model	L (mm)	LF (mm)	W (mm)	H (mm)	F (mm)	Rated Power	Max total luminaires connected using external 1.5mm <sup>2</sup> wire	Max total luminaires connected using external 2.5mm <sup>2</sup> wire
LED WP-P3 L710-13W DALI	710	300	81	78	22	13W	20	40
LED WP-P3 L710-22W DALI	710	300				22W	15	30
LED WP-P3 L1310-22W DALI	1310	600				22W	15	30
LED WP-P3 L1310-36W DALI	1310	600				36W	15	30
LED WP-P3 L1310-36W DALI	1310	600				36W	15	30
LED WP-P3 L1610-31W DALI	1610	750				31W	15	30
LED WP-P3 L1610-51W DALI	1610	750				51W	10	20
LED WP-P3 L1610-51W DALI	1610	750				51W	10	20

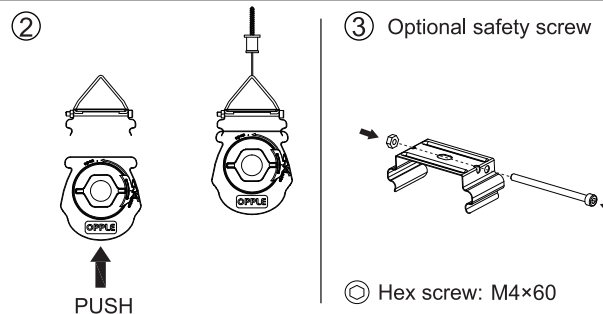
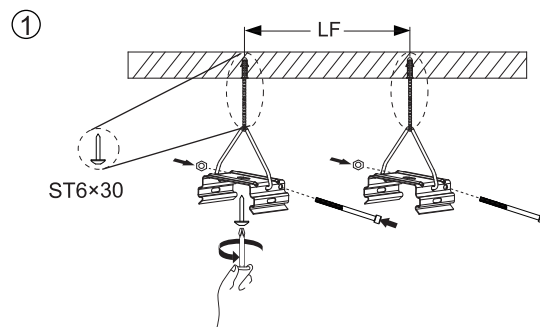
Rated Voltage: 220-240V~  
Frequency: 50/60Hz

## Installation

### Surface Mounting



### Suspension Mounting



## Wiring

①

②

External Wire diameter  
Min: 5×1.0mm<sup>2</sup>  
Max: 5×2.5mm<sup>2</sup>

factory setting 5mm

③

④

IP65 rating can only be guaranteed with properly tightened glands and properly closed endcaps.

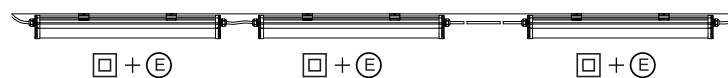
Add the rubber block when through wiring is not required.

2.0~2.5N.m

**LUMINAIRE IS ELECTRICAL PROTECTION CLASS II, GROUND WIRING IS NOT MANDATORY**



The luminaire is equipped with an extra through wire that can be used to connect the ground wire to the end of the line



### Components



Components included in the packaging inside the components box.



Caution: Any operation on LED module is forbidden while power-on.  
Zur Vermeidung von Risiken müssen defekte Leitungen ausschließlich vom Hersteller, Inverkehrbringer oder Fachmann ausgetauscht werden.  
Achtung: In Betrieb ist keine Arbeit am LED-Modul erlaubt.



For non-user replaceable light sources:  
The light source contained in this luminaire shall only be replaced by the manufacturer or his service agent or a similar qualified person.  
Das Leuchtmittel dieser Leuchte ist nicht austauschbar. Wenn das Leuchtmittel das Ende seiner Lebensdauer erreicht hat, muss die gesamte Leuchte ersetzt werden.



For use in environments where normal non-conductive/conductive dust accumulation may be expected, not for use in environments with expected high/unusual dust accumulation.



Data subject to change Les données sont sujettes à modifications Änderungen vorbehalten

Oppl Lighting Electronic (Zhongshan) Co., Ltd.  
528422  
Building A, No.275 Dongan Bei Road,  
Haizhou District, Guzhen Town,  
Zhongshan City, Guangdong, China.

OPPLE Lighting B.V.  
Materiaalweg 6-6A  
5681 RJ Best  
The Netherlands  
service@opple.com  
www.opple.com