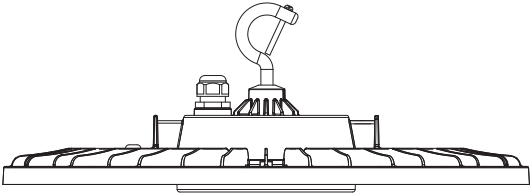
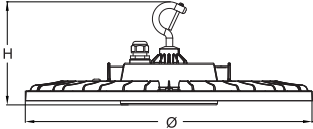
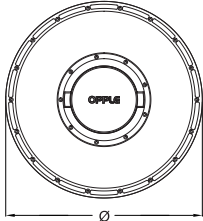


# LED Highbay

# OPPLE

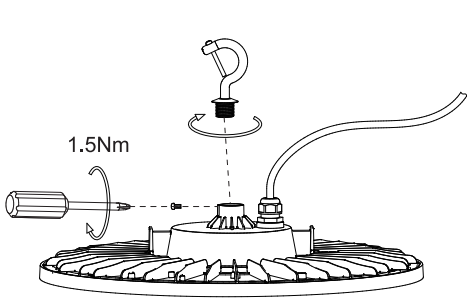
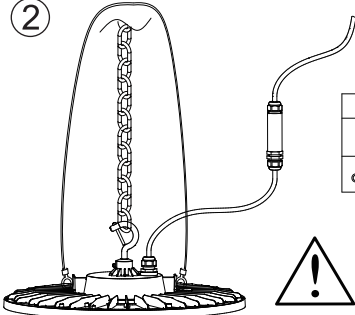
Version date 18-03-2019  
www.opple.com

Model	CCT	kg
LED HB-P4 80W	4000K/5700K	2.1 kg
LED HB-P4 115W	4000K/5700K	2.1 kg
LED HB-P4 155W	4000K/5700K	3.1 kg
LED HB-P4 230W	4000K/5700K	3.1 kg

Model	H (mm)	Ø (mm)
LED HB-P4 80W	74	340
LED HB-P4 115W	74	340
LED HB-P4 155W	149	408
LED HB-P4 230W	149	408

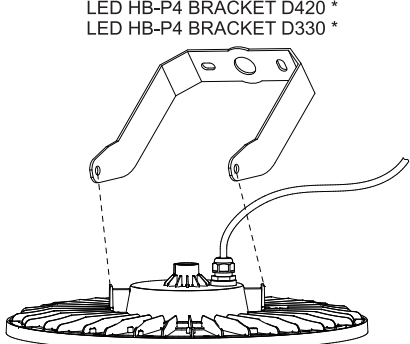
## Hook

Picture	Code	Specification
	A	M8×20
	B	Ø2.0×L1200

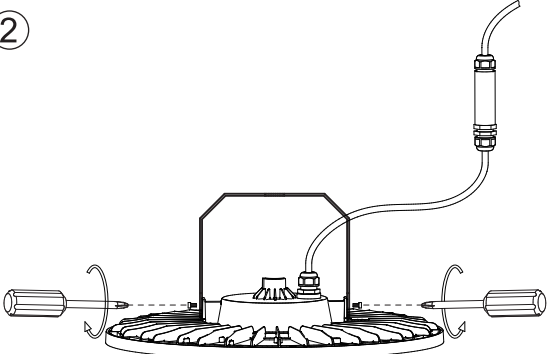
**Warning:** Install the additional safety wire (not included) to ensure a safe installation

## Bracket ( Available as accessory )

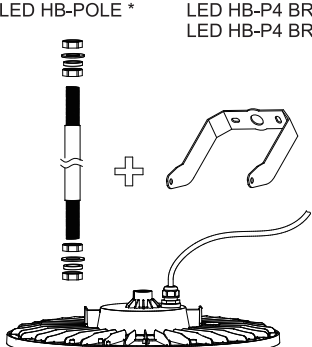


LED HB-P4 BRACKET D420 \*  
LED HB-P4 BRACKET D330 \*

\*ACCESSORY NOT INCLUDED IN THE PACKAGING

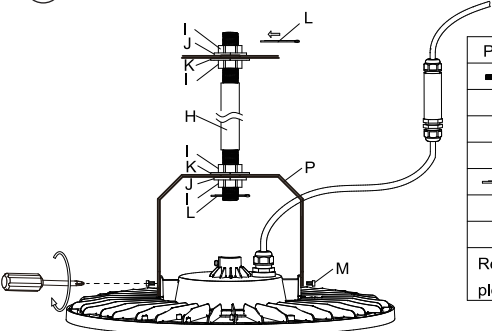


## Pole ( Available as accessory )



LED HB-POLE \*    LED HB-P4 BRACKET D420 \*  
LED HB-P4 BRACKET D330 \*

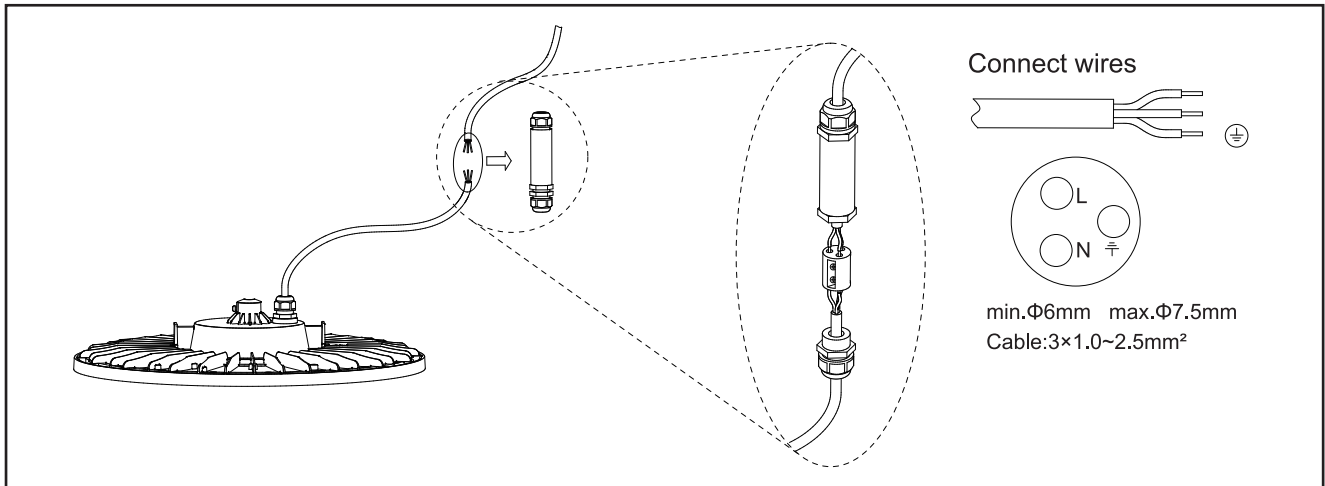
\*ACCESSORY NOT INCLUDED IN THE PACKAGING



Picture	Code	Specification
	H	M20×2.5×L300
	I	M20×2.5
	J	M20
	K	M20
	L	Ø3×L30
	M	M8×20
	P	Bracket

Remark: Not Included please purchase separately

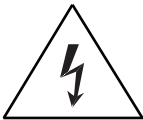
## IP68 Connection



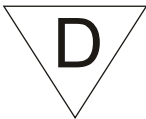
In case of damage to the wires, it has to be replaced only by the manufacturer, distributor or an expert to avoid risks.

Zur Vermeidung von Risiken müssen defekte Leitungen ausschließlich vom Hersteller, Inverkehrbringer oder Fachmann ausgetauscht werden.

The external flexible cable or cord of this luminaire cannot be replaced; if the cord is damaged, the luminaire shall be destroyed.



The light source of this luminaire is not replaceable; when the light source reaches its end of life the whole luminaire shall be replaced.



For use in environments where normal non-conductive/conductive dust accumulation may be expected, not for use in environments with expected high/unusual dust accumulation.

