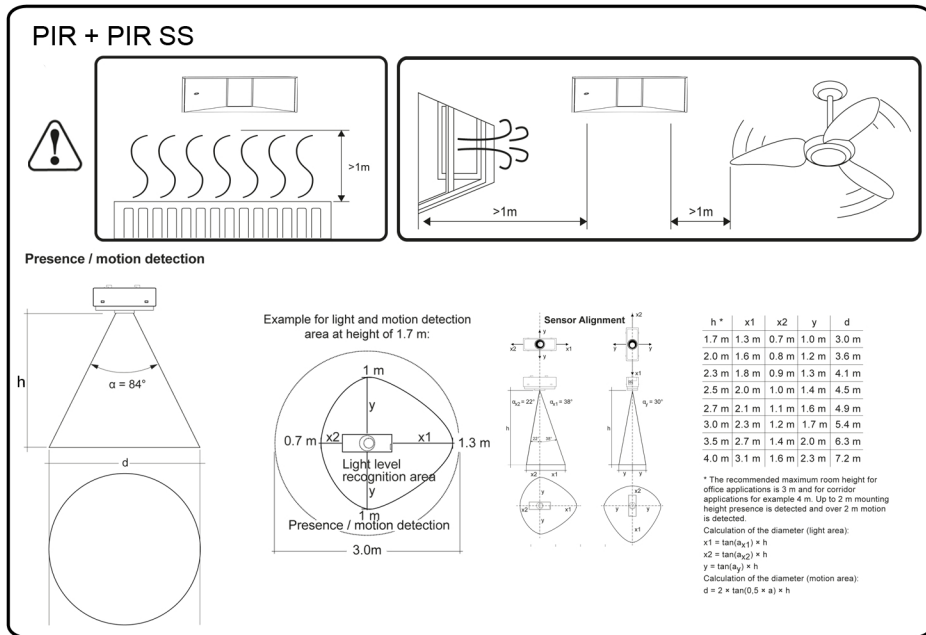
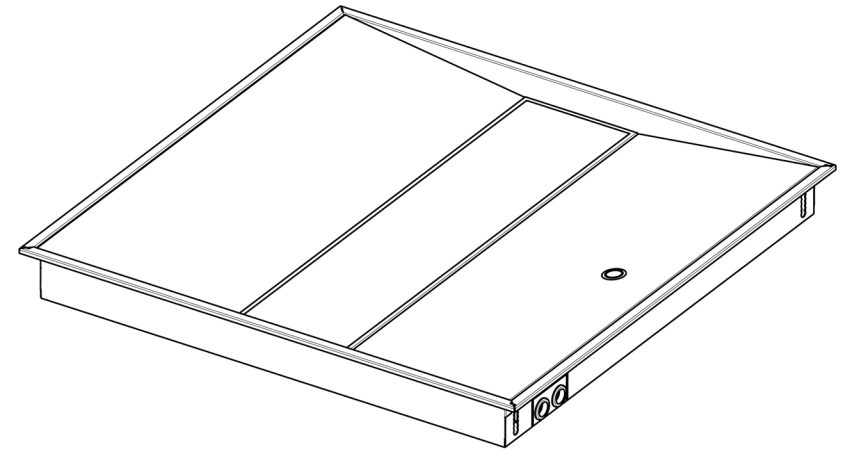


THORN



PIR

Product description

- Monitoring of ambient light and motion detection
- DALI-2 Sensor that requires the use of an application controller

https://www.tridonic.com/com/de/download/technical/Application_controllers_MSensor_G3.pdf

PIR SS

Potentiometer times = 5 s, 2 m, 5 m, 15 m, 30 m, default = 5 s
 (Note: Only discrete steps are selectable, no intermediate values)
 Potentiometer lux = 50 - 500 lx, default = off

Bright-out:
 Bright-out will be activate if position off is not selected.

No adjustable parameters:
 Switch OFF light level: 250 % of the adjustable switch ON light level
 Bright-out delay time: 10 min.
 Power up behavior: When power up, the smartSWITCH will switch ON

In the example above the 5 minute range is selected.

IQ BEAM HT

597x597



- [CZ] Montážní návod
- [DE] Montageanleitung
- [DK] Monteringsvejledning
- [EE] Paigaldusjuhend
- [FI] Asennusohje
- [FR] Notice de montage
- [HU] Szerelési útmutató
- [IT] Istruzioni di montaggio

- [LT] Montavimo Instrukcijos
- [LV] Instalācijas instrukcija
- [NO] Monteringsanvisning
- [PL] Instrukcja montażu
- [RU] Инструкция по монтажу
- [SE] Installationsanvisning
- [UK] Installation Instructions

