

LEO FLEX IP66

EN Installation Instructions	HR Uputstvo za montažu	SE Installationsanvisning
DE Montageanleitung	NL Montagehandleiding	RU Инструкция по монтажу
CZ Montážní návod	RO Instrucțiuni de montaj	SRB Instrukcija za instalaciju
DK Monteringsvejledning	IT Istruzioni di montaggio	SK Montážny návod
EE Paigaldusjuhend	LT Montavimo Instrukcijos	SLO Navodilo za montažo
FI Asennusohje	LV Instalācijas instrukcija	CN 安装说明书
FR Notice de montage	NO Monteringsanvisning	
HU Szerelési útmutató	PL Instrukcja montaży	

WARNING:

1. Ensure that any installation and maintenance be performed by a qualified electrician and that luminaire be wired in accordance with the latest IEE electrical regulations or the local equipments.
2. Ensure that the power supply is off before perform installation and maintenance and not switched on until the installation or maintenance complete.
3. The light source contained in this luminaire shall only be replaced by the manufacturer or his service agent or a similar qualified person.

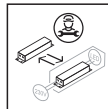
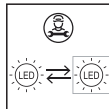


Caution: Risk of electric shock

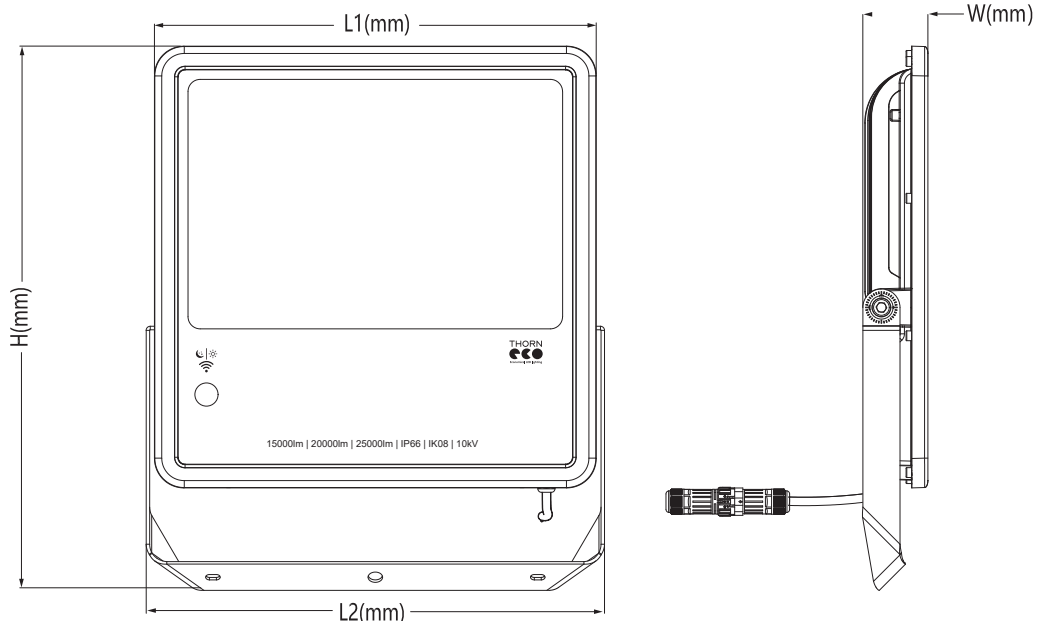
4. If the external flexible cord of this luminaire is damaged, it shall be exclusively replaced by the manufacturer or his service agent or a similar qualified person in order to avoid a hazard.
5. Only to be installed outside arms reach.
6. This product contains a light source of class D.

Product Description	Wattage	SAP Code	L1	L2	W	H	Wind speed (m/s)	Windage at 13°(m²) Scx	Load
LEO FLEX IP66 80W 830 PC	80W	96635301	330	345	56	359	25m/s(90km/h)	0.034	4.1Kg
LEO FLEX IP66 120W 830 PC	120W	96635302	330	345	56	419		0.042	4.3Kg
LEO FLEX IP66 190W 830 PC	190W	96635303	380	395	56	470		0.056	5.9Kg
LEO FLEX IP66 300W 830 PC	300W	96635304	465	479	72	635		0.062	11.3Kg
LEO FLEX IP66 80W 840 PC	80W	96635305	330	345	56	359		0.034	4.1Kg
LEO FLEX IP66 120W 840 PC	120W	96635306	330	345	56	419		0.042	4.3Kg
LEO FLEX IP66 190W 840 PC	190W	96635307	380	395	56	470		0.056	5.9Kg
LEO FLEX IP66 300W 840 PC	300W	96635308	465	479	72	635		0.062	11.3Kg

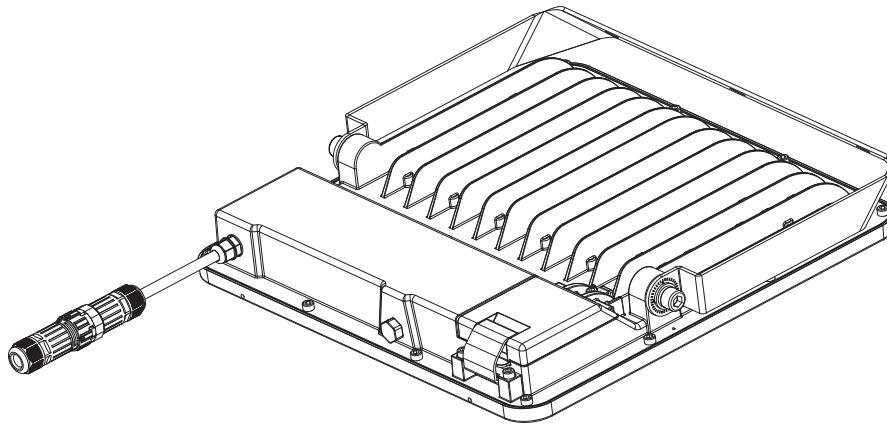
Info on replaceability:



www.thorn-eco.com

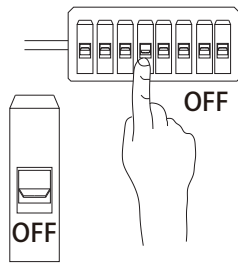


LEO FLEX IP66

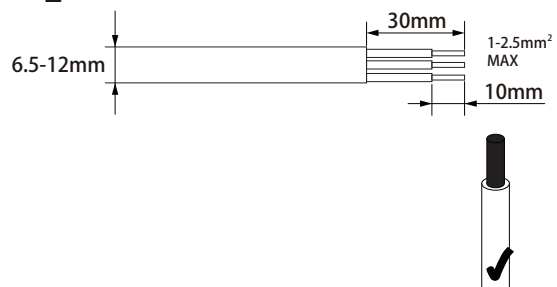


(AC Power Input 100-240V AC)

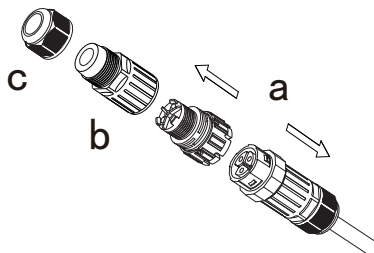
1



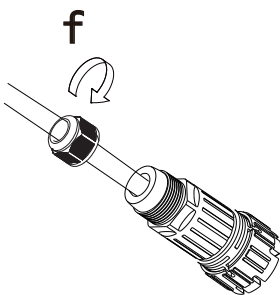
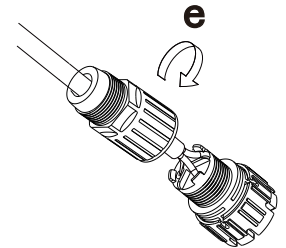
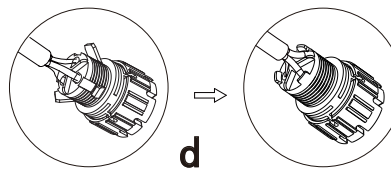
2



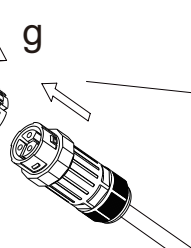
3



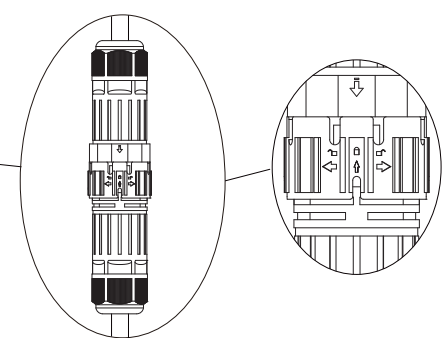
LED driver side



(AC IN 100~240V)

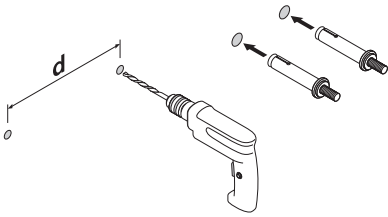


LED driver side



LEO FLEX IP66

1

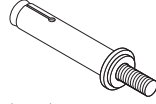


	d
LEO FLEX 80W	220mm
LEO FLEX 120W	220mm
LEO FLEX 190W	280mm
LEO FLEX 300W	260mm

2

Parts A, B, C, D are NOT included.
Teile A, B, C, D sind nicht im Lieferumfang enthalten.
Pièces A,B,C, D non incluses.

A:Screw



80W/120W/190W:M6x60
300W:M10x85

B:Washer



80W/120W/190W:φ6.4xφ12x1.6
300W:φ10.5xφ20x2

C:Spring washer



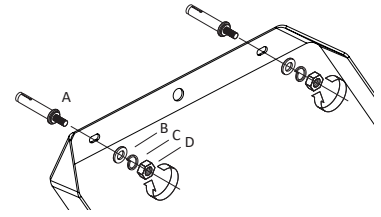
80W/120W/190W:φ6.1xφ9.1x3.2
300W:φ10.2xφ15.1x5.2

D:Nut

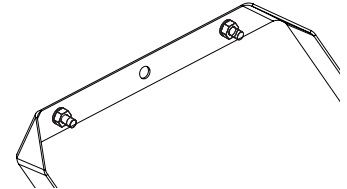


80W/120W/190W:M6
300W:M10

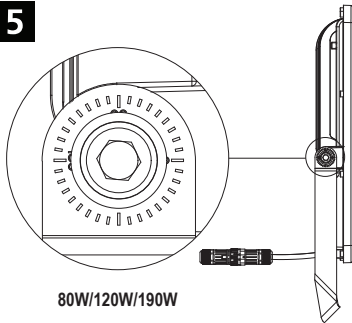
3



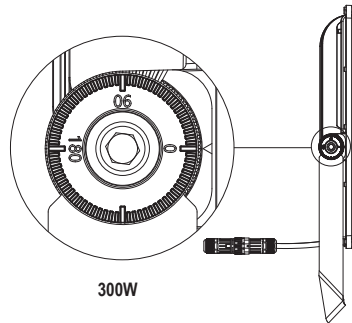
4



5

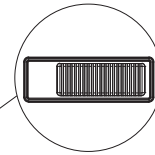
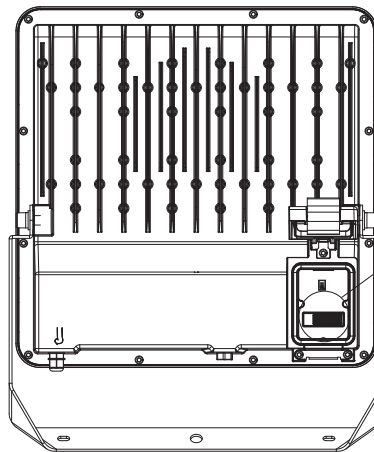


80W/120W/190W



300W

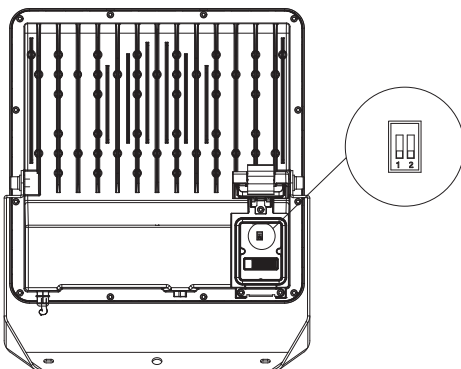
6



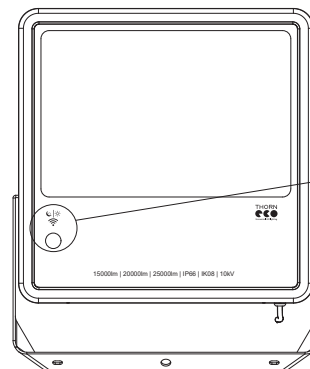
Power switching
L:Mini C:Middle R:Max

L:Mini		C:Middle		R:Max	
Power	Min Luminous Flux	Power	Mid Luminous Flux	Power	Max Luminous Flux
55W	7.500lm	70W	9.000lm	80W	10.000lm
70W	10.000lm	90W	12.500lm	120W	15.000lm
105W	15.000lm	140W	20.000lm	190W	25.000lm
205W	30.000lm	250W	35.000lm	300W	40.000lm

7

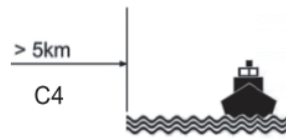


Daylight Sensor		1	2
ON	OFF		
10Lux	30Lux		
25Lux	75Lux		
200Lux	300Lux		
Disable			



Daylight Sensor
Dämmerungssensor
Détecteur de luminosité

LEO FLEX IP66



ENGLISH

- The fitting should not be exposed to harsh chemicals. (e.g. Acids, fertilisers or lime).
- Never allow visible parts of the luminaire to be covered.
- Luminaire must not be cleaned with high pressure washers.
- The fittings is not suitable for use in high chlorine environments such as spas and swimming pools.
- Do not expose the luminaire to petroleum.
- Operational ambient temperature range -30°C to 50°C.
- Do not use if the luminaire, connectors or cabling are damaged.
- Minimum distance to sea 5 km.

DEUTSCH

- Das Produkt darf keinen aggressiven Chemikalien ausgesetzt werden (z.B. Säuren, Düngemittel oder Kalk).
- Sichtbare Teile der Leuchten dürfen nicht bedeckt werden.
- Die Leuchte darf nicht mit Hochdruckreinigern gereinigt werden.
- Die Leuchte ist nicht für den Einsatz in chlorhaltigen Umgebungen wie Spas und Schwimmbädern geeignet.
- Die Leuchte darf nicht in Kontakt mit Ölen kommen.
- Betriebstemperaturbereich von -30°C bis 50°C
- Bei Beschädigung der Leuchte, Steckverbinder oder Kabel darf die Leuchte nicht weiter betrieben werden.
- Mindestabstand zum Meer 5 km.

FRANCAIS

- Les luminaire ne doivent pas être exposés à des produits chimiques agressifs (par exemple, des acides, des engrais ou de la chaux).
- Ne jamais recouvrir le luminaire .
- Le luminaire ne doit pas être nettoyé avec un jet haute pression .
- Les produits ne conviennent pas aux environnements à forte teneur en chlore tels que les spas et les piscines.
- N'exposez pas le luminaire à l'essence.
- Température ambiante d'utilisation -30°C à 50°C
- Ne pas utiliser si le luminaire, les connecteurs ou le câblage sont endommagés.
- Distance minimale à la mer 5 km.

ITALIANO

- Il raccordo non deve essere esposto a sostanze chimiche aggressive.(ad es. acidi, fertilizzanti o calce).
- Non lasciare mai che parti visibili dell'apparecchio siano coperte.
- L'apparecchio non deve essere pulito con l'idropulitrice.
- L'apparecchio non è adatto per l'uso in presenza di cloro alto p.es. ambienti spa e piscine.
- Non esporre l'apparecchio al petrolio.
- Intervallo di temperatura ambiente operativo da -30°C a 50°C.
- Non utilizzare se l'apparecchio, i connettori o il cablaggio sono danneggiati.
- Distanza minima dal mare 5 km.

