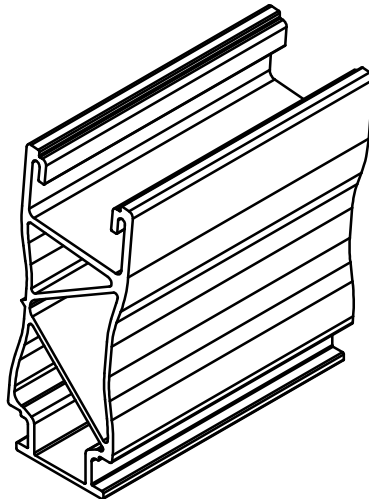


Isometric
1:2



K2 Systems GmbH
 Industriestr. 18
 71272 Renningen
 Germany
 +49 7159 42059-0

Designation:

Data sheet
 MiniFive MK2 Front

F	Name	Date	Material:	Item no.:	2004212	A4	
	Designed	A. Soumpalas	24.09.2021	EN AW 6063 T66			
	Approved	A. Gerstenberger	24.09.2021	Surface: mill finish	Drawing no.:	04-047-03	All dimensions in mm
	Last change	A. Gerstenberger	06.07.2022	Weight: ca. 200.1 g/pc	Scale: 1:1		Sheet 1 of 1