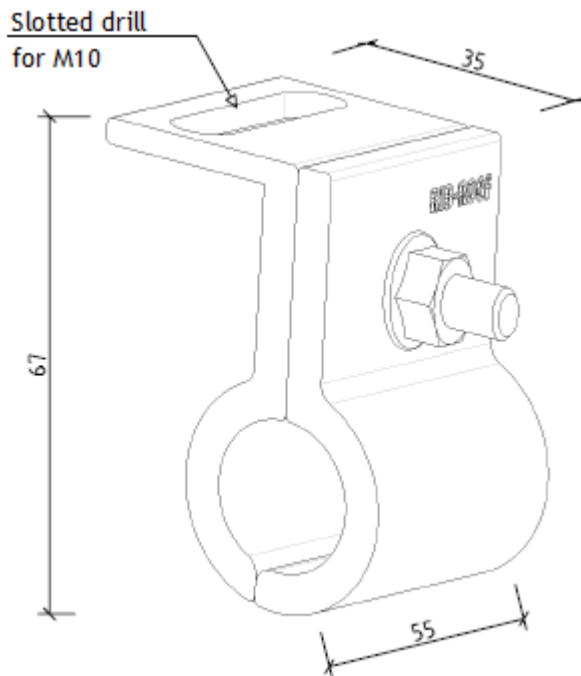


PRODUCT DATASHEET

SOLAR BRACKET RIB-ROOF EVOLUTION

PRODUCT ILLUSTRATION:



PRODUCT DESCRIPTION:

- Brackets for penetration-free fixing on the RIB-ROOF Evolution profiled sheet seam
- Characteristic load bearing capacity accord. to general technical authorisation Z-14.4-774

TECHNICAL DETAILS:

	Height h (mm)	Length x Width fixing angle (mm)	Material thickness (mm)	Weight (kg/unit)	Packaging unit (unit)	Material aluminium, alloy
Standard solar bracket	67	55 x 35	4.00 to 6.00	0.180	1	6063 T66, AlMgSi 0.5 F25