

1

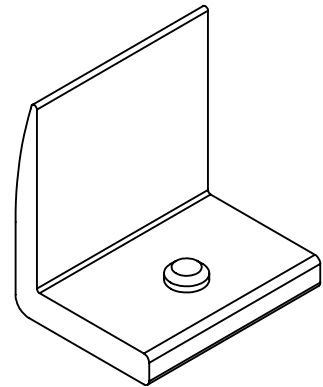
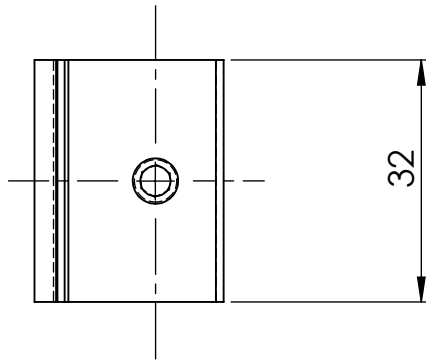
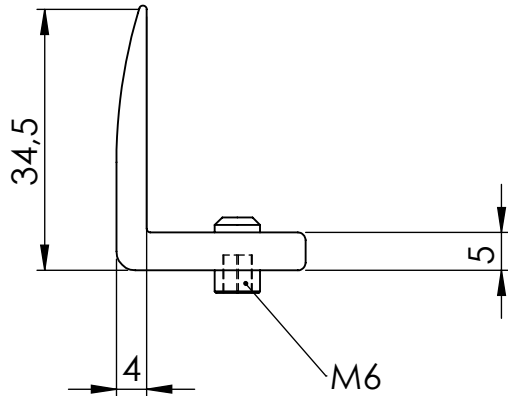
2

3

4


A

B



E

F

08					Date	Name
07				Designed	17.09.2018	M.Preiß
06				Approved		
05				Material: EN AW 5754 H14		
04				Surface:		
03				Weight: 19.4	g	Scale: 1:1
02				 K2 Systems GmbH Industriestr. 18 71272 Renningen 07159/42059-0		
01	xxx	xxx	xxx			
Index	Revision	Date	Name			

Designation:		Data sheet InsertionRail EndStop	
Item no.:		2002760	A4
Drawing no.:		All dimensions in mm	
Tolerance ISO 8015		Sheet 1 of 1	

This drawing is the sole property of K2 Systems GmbH. It is protected by copyright and may only be copied, reproduced or distributed to a third party with explicit permission!