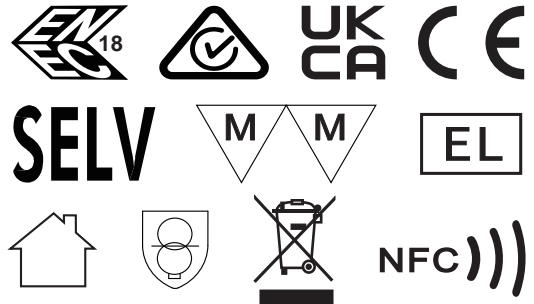




Constant Current Driver

Model: CC53W500-1400 NFC



Model	Output Current	Input Current	Input Power	Output Power Range	PF	Efficiency	Output Voltage	No load Voltage
CC53W500-1400 NFC	500-1400mA	≤0.35A	59.8W	1.25-53.20W	≥0.95	89%	2.5-44	59V

* Test result @230V, 50Hz, Full Load

1. Parameters

category	Item	Technical Norm
Features	Output Type	Constant Current
	Current Setting	Near field communication (NFC)
	Output Features	Isolation
	IP Grade	IP20
	Insulation Class	Class II (compatible Class I)
Input	Rated Input Voltage	220-240VAC
	Range of Input Voltage	198-264VAC
	Range of DC Input Voltage	180-280VDC
	Frequency	0/50/60Hz, Range:0/47-63Hz
	Input Current	≤0.35A max
	Input Power	≤59.8W max
	Power Factor	≥0.95 (230VAC, full load)
	THD	≤10% (230VAC, full load)
	No-load Power Consumption	≤0.5W (230VAC, full load)
	Inrush Current	≤9.5A/16us (230VAC, full load)
	Connected quantity of 10A Breaker	21pcs/type A ;33pcs/type B ;53pcs/type C @ 230Vac
Connected quantity of 16A Breaker	33pcs/type A ;53pcs/type B ;84pcs/type C @ 230Vac	
Connected quantity of 20A Breaker	41pcs/type A ;66pcs/type B ;105pcs/type C @ 230Vac	
Output Voltage	Output Voltage	2.5-44VDC@500-1200mA 2.5-42VDC@1250mA 2.5-40VDC@1300mA 2.5-39VDC@1350mA 2.5-38VDC@1400mA
	No Load Voltage (Uout)	59VDC Max.

Output	Output Current	500-1400mA (by NFC setting)
	Max. Output Power	53W
	Efficiency	≥89% (230VAC, full load@max current)
	Output LF current ripple (< 120 Hz)	±3% (Imax-Imin) / (Imax+Imin)
	Current Accuracy	±5%
	Output PstLM (at full load)	≤1
	Output SVM (at full load)	≤0.4
	Starting Time (AC mode)	≤0.5S (230VAC, full load)
Control Method	NFC current setting	The output current can be set within the total value range in 1-mA-steps. Output current is mean value. Setting is by KGP's software APP/APK/PC with FEIG equipment or mobile phone.
Protection	Short Circuit Protection	Auto Recovery
	Overload Protection	Auto Recovery (not be hot swap)
	No-load Protection	Auto Recovery
	Insulation voltage	3000V 5mA 60S between P-S, 1500V 5mA 60S between P-E
	Insulation resistance	>100M ohm @ 500VDC
	Leakage current	< 700µA, I/P to O/P or I/P to PE @230V input
Environment	Ta/Operation Temperature	-20....+40°C
	Ts/Storage Temperature	-20....+85°C
	Tc/Enclosure Temperature	85°C
	Humidity	10%....90%RH
	Atmosphere	86-108KPa
Construction	Connection Method	Push-in Terminal
	Installation	Build-in
	PRI Wire preparation	0.5-1.5 [□] / 8-9mm
	SEC Wire preparation	0.5-1.5 [□] / 8-9mm
	Dimension	143*43*30mm (L*W*H)
Standards	Certification	CE/ENEC/SAA/UKCA/EAC
	Safety Standards	EN61347-1:2015/A1:2021; EN61347-2-13:2014/A1:2017; EN62384:2006/A1:2009; AS 61347.2.13:2018; AS/NZS61347.1:2016; BS EN61347-1:2015/A1:2021; BS EN61347-2-13:2014/A1:2017; IEC 61347-1:2015+A1:2017; IEC 61347-2-13:2014+A1:2016;
	EMC Standards	AS/NZS CISPR 15:2011; AS CISPR 15:2017; BS EN IEC 55015:2019+A11:2020; EN 61547:2009; BS EN IEC 61000-3-2:2019; BS EN 61000-3-3:2013+A1:2019;
	Performance	EN 62384
	Surge	L/N-Ground:2kV; L-N:1kV

Others	RoHS	2011/65/EU
	Life Time	50000h Tc=85°C
		75000h Tc=80°C
		100000h Tc=75°C
Warranty	5years , F.R. < 10000ppm	

Remark: 1.All Parameters, if not specified, are measured at 230VAC/50Hz and 25°C ambient temperature.
2.LED Driver is a component of the luminaires, Luminaires and wire layout will affect the EMC, please check the EMC with end products again.

2. Label

KGP
KGP Electronics GmbH
Hueckstraße 19
DE-58511 Lüdenscheid

LED Driver
CC53W500-1400 NFC
PRI:220-240VAC 0/50/60Hz Max. 0.38A
SEC:500-1400mA 2.5-42VDC
V-OUT:59VDC Max. 53W
PF > 0.9 ●tc=85°C, ta=40°C
Current setting by NFC, step 1mA
DC 180-280V

SEC: +
 -

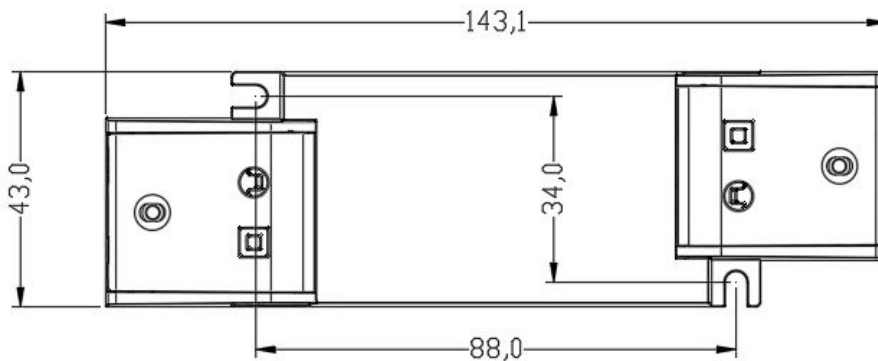
wire preparation (8-9mm)
PRI: 0.5-1.5°
SEC: 0.5-1.5°

N
 L

UK CA **CE** **EAC**
SELV **M M** **EL**

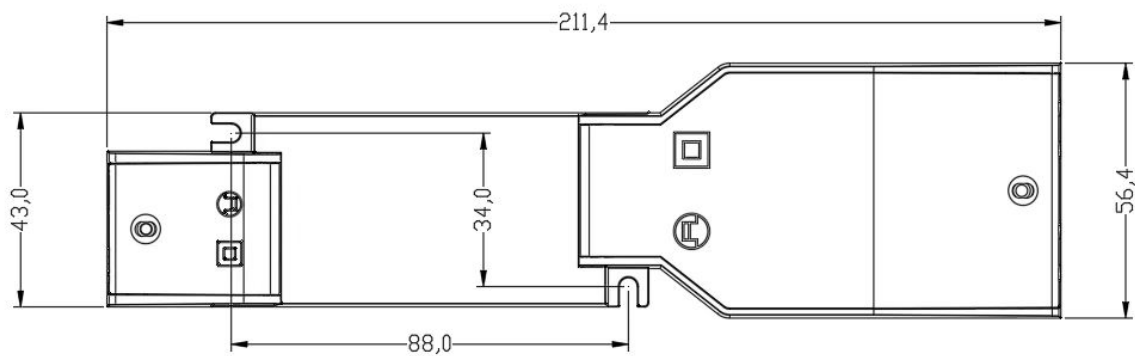
3. Dimension (Unit: mm)

small side cover:

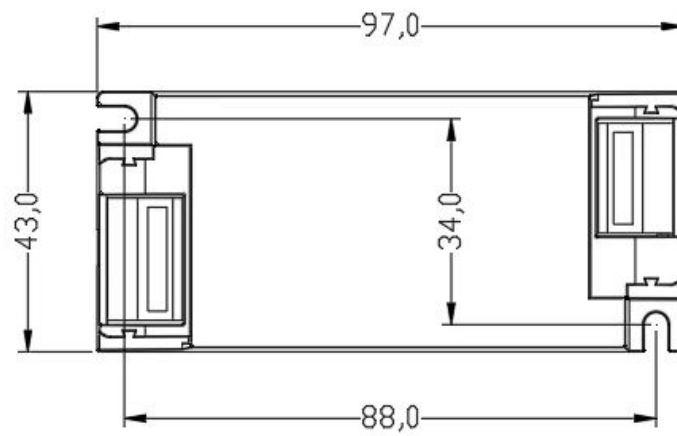




large side cover:

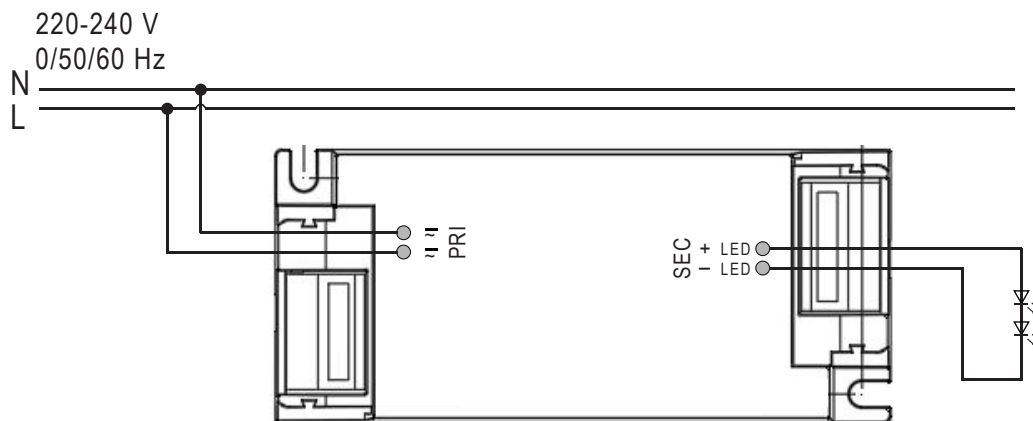


Built in type:



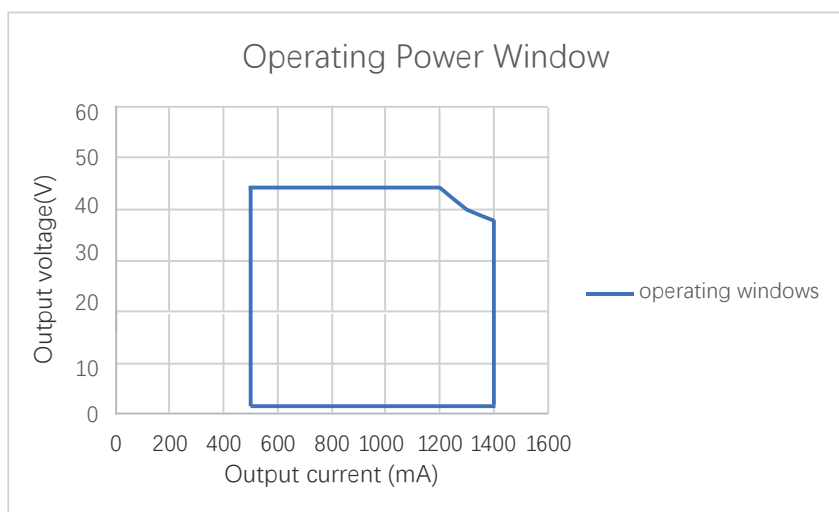


4. Wiring Diagram



5. Output Power Window

Operating power window



6. Packing information**SC**

Carton L*W*H(mm)	Pcs/Carton	Net weight/ Pcs(kg)	Net weight/ Carton(kg)	Gross weight / Carton(kg)
395*295*125	120	0.154	18.48	18.94

Small side cover

Carton L*W*H(mm)	Pcs/Carton	Net weight/ Pcs(kg)	Net weight/ Carton(kg)	Gross weight / Carton(kg)
370*365*295	1000	0.0087	8.7	10

Large side cover

Carton L*W*H(mm)	Pcs/Carton	Net weight/ Pcs(kg)	Net weight/ Carton(kg)	Gross weight / Carton(kg)
375*305*295	200	0.041	8.2	9.4

7. NFC current setting:**T.B.D****8. REVISION HISTORY**

Date	Revision	Remark