

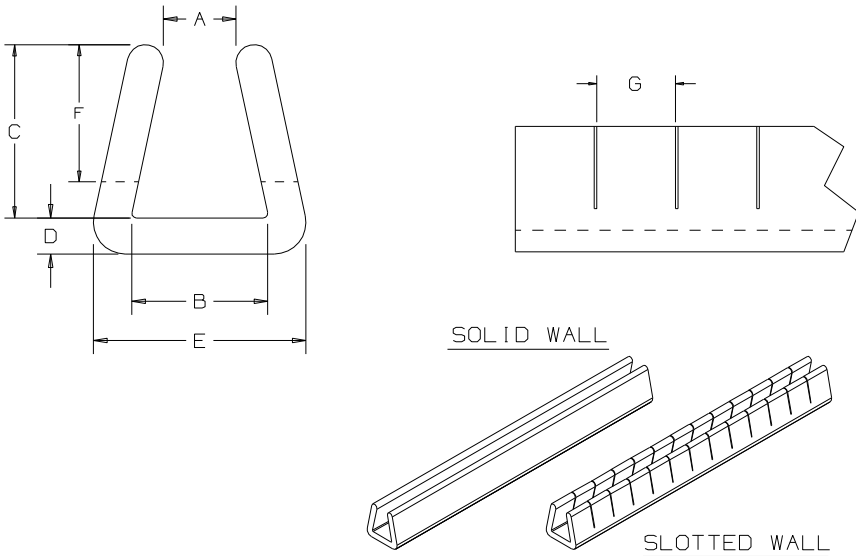
THIS COPY IS PROVIDED ON A RESTRICTED BASIS AND IS NOT TO BE USED IN ANY WAY DETRIMENTAL TO THE INTERESTS OF PANDUIT CORP.

PANDUIT PART NO.* *	PANEL THICKNESS	A ±TOL.	B ±0.015 (0.38)	C ±0.015(0.38)	D +0.020 (0.51) -0.015 (0.38)	E REF.	F * TOL.	G *
GE_36FR-C (Y)	0.026 - 0.036 (0.66) - (0.91)	0.025 ±0.010 (0.64) ±0.25)	0.045 (1.14)	0.087 (2.21)	0.030 (0.76)	0.106 (2.69)	0.060 +0.005 (0.13) (1.52) -0.025 (0.64)	0.150 (3.81)
GE_62FR-C (Y)	0.036 - 0.062 (0.91) - (1.57)	0.035 ±0.013 (0.89) ±0.33)	0.070 (1.78)	0.130 (3.30)	0.030 (0.76)	0.131 (3.33)	.105 +0.005 (0.13) (2.67) -0.025 (0.64)	0.150 (3.81)
GE_99FR-C (Y)	0.062 - 0.099 (1.57) - (2.51)	0.054 ±0.013 (1.37) ±0.33)	0.108 (2.74)	0.155 (3.94)	0.030 (0.76)	0.169 (4.29)	.125 +0.005 (0.13) (3.18) -0.025 (0.64)	0.150 (3.81)
GE-144FR-C (Y)	0.099 - 0.144 (2.51) - (3.66)	0.090 ±0.013 (2.29) ±0.33)	0.152 (3.86)	0.192 (4.88)	0.030 (0.76)	0.213 (5.41)	.160 +0.005 (0.13) (4.06) -0.035 (0.89)	0.150 (3.81)



NOTES:

- * 1) DIM'S F & G APPLY ONLY TO SLOTTED GROMMET EDGING.
- ** 2) PART NO. EXAMPLE:
- 3) SEE CURRENT PRICE SHEET FOR PART NO. SUFFIX DESIGNATION FOR PACKAGE SIZE.
- 4) COLOR: NATURAL
- 5) SLOTTED WALL STYLE IS RECOMMENDED FOR INSIDE EDGE OF PANEL CUT OUTS. SOLID WALL STYLE IS RECOMMENDED FOR STRAIGHT, OUTSIDE EDGES.
- △ 6) REELS MAY CONTAIN A MAXIMUM OF THREE SPLICES.



TITLE		FLAME RETARDANT POLYETHYLENE GROMMET EDGING	
ITEM REVISION NAME		G03597D0/00	
DATASET FILE NAME		G03597D0_DC_GB0281BA_06/00A	
MATERIAL:		UNLESS OTHERWISE SPECIFIED, DIMENSIONAL TOLERANCES ARE: IN (mm)	
DRAWING NUMBER:		GB0281BA	
DRAWN BY		SJSU	
DATE		4-15-93	
CHK		RAMI	
SCALE		NONE	
THIRD ANGLE PROJECTION			
SIZE		A	

REV	DATE	BY	CHK	APR	DESCRIPTION	ECN
6	5/22/13	LEF	VJS	RAMI	C.ADDED NOTE #6 D.ADDED TOL. TO A,B,C,D & F E.REMOVED TOL.FROM TITLE BLK.	GB0281BA
5	7/19/12	LEF	VJS	RAMI	A. REMOVE OBSOLETE PART GE_189FR-C B. ADD CUSTOMER DRW TO TITLE BLK	GB0281BA

D10100DA/15