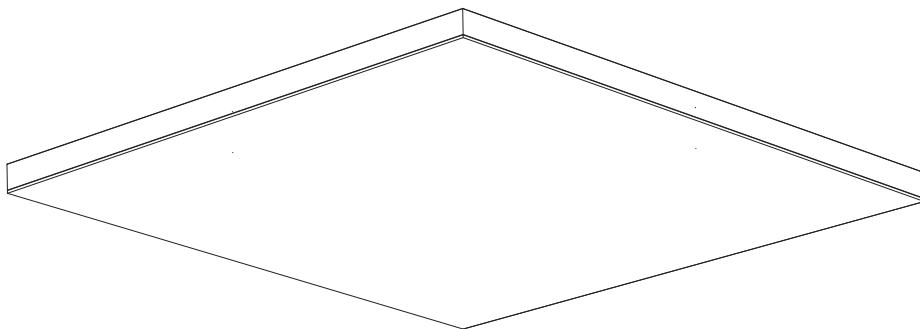
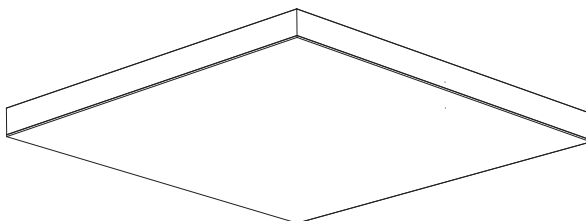
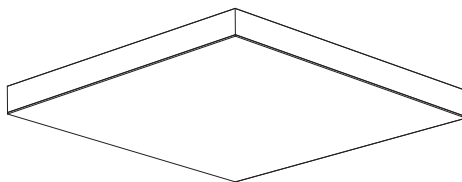
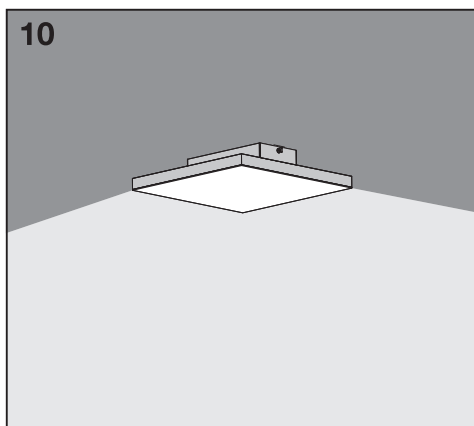
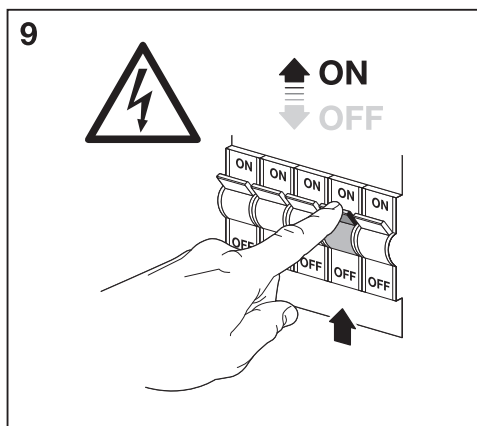
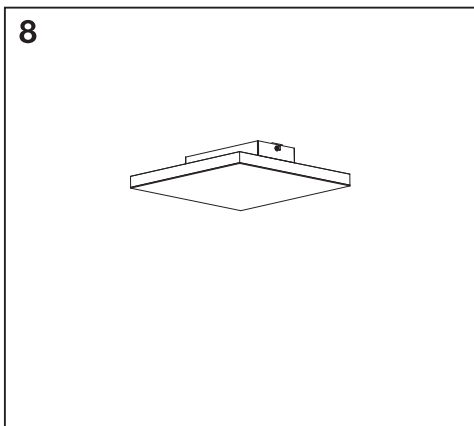
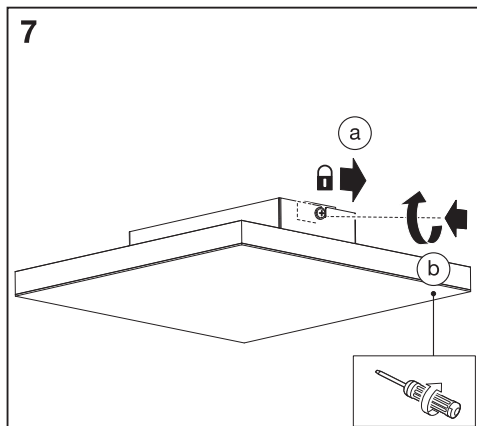
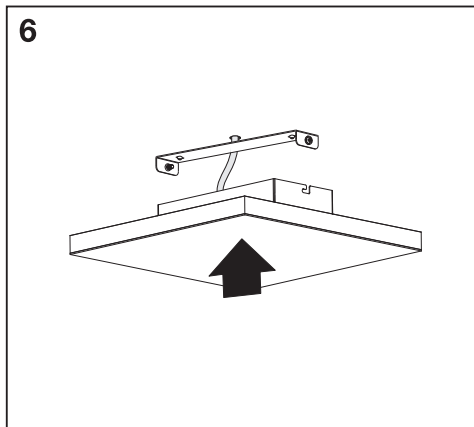
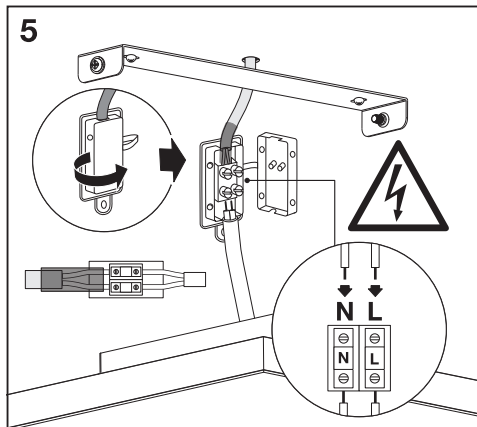









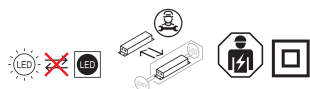
SMART⁺ PLANON FRAMELESS



	EAN	W	lm Light Source	lm Output	K	⌀ (°C)	V~	mA	Hz	DF	▽ (°)	🖱️
SMART WIFI PLANON FRAMELESS 30X30TW	4058075484313	20	2000	1600	3000-6500	-20...+40	220-240	90	50/60	>0,9	110	15000
SMART WIFI PLANON FRAMELESS30X30RGBTW	4058075484351	20	2200	1500	3000-6500	-20...+40	220-240	90	50/60	>0,9	110	15000
SMART WIFI PLANON FRAMELESS 45X45TW	4058075484375	28	3000	2300	3000-6500	-20...+40	220-240	125	50/60	>0,9	110	15000
SMART WIFI PLANON FRAMELESS 45X45TW	4058075484436	40	4250	3400	3000-6500	-20...+40	220-240	180	50/60	>0,9	110	15000
SMART WIFI PLANON FRAMELESS60X60RGBTW	4058075484474	40	4450	3400	3000-6500	-20...+40	220-240	185	50/60	>0,9	110	15000



	EAN	This product contains a light source of energy efficiency class	Contained Light Source
SMART WIFI PLANON FRAMELESS 30X30TW	4058075484313	F	
SMART WIFI PLANON FRAMELESS30X30RGBTW	4058075484351	E	
SMART WIFI PLANON FRAMELESS 45X45TW	4058075484375	E	
SMART WIFI PLANON FRAMELESS 60X60TW	4058075484436	E	
SMART WIFI PLANON FRAMELES60X60RGBTW	4058075484474	E	



C10449057
G11146681
09.08.2022



LEDVANCE GmbH
Steinerne Furt 62
86167 Augsburg, Germany
www.ledvance.com